

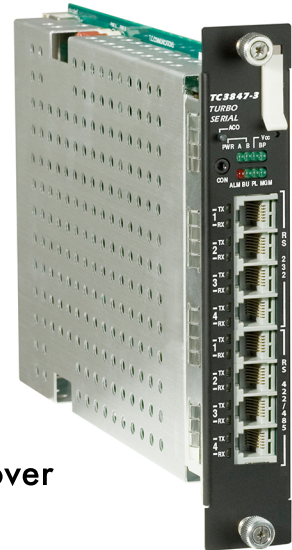
# Turbo Serial Over IP Gateway

## TC3847-3

- Ideal for Teleprotection Relays
- Less Than 5 msec. latency, One Way
- Protocol transparent: Mirrored Bits\*, DNP-3, Modbus, etc.
- RS-232 Ports Support Hardware Handshaking or Synchronous Mode
- Data Rates up to 115kbps
- VLAN & QoS Support

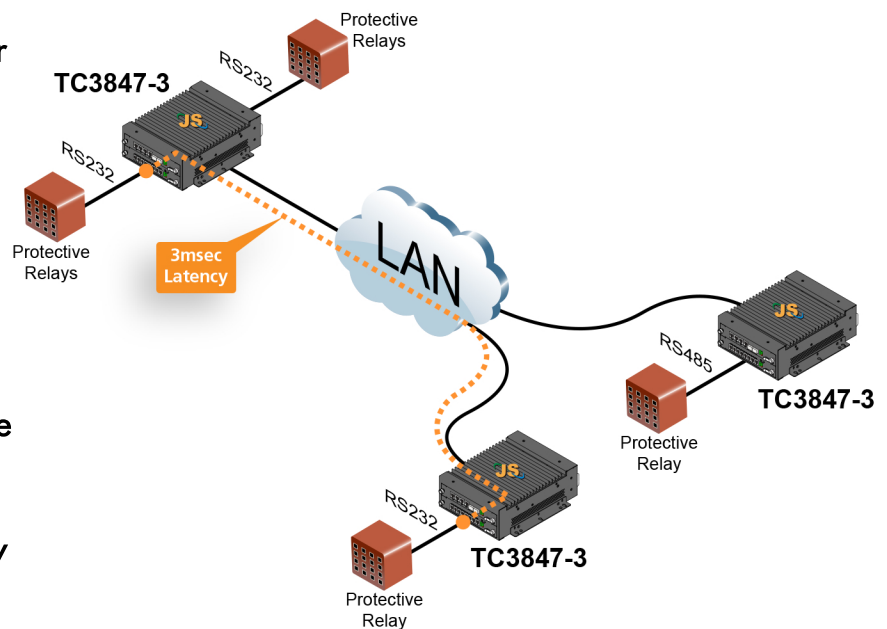
Extreme Operating Temp (-40C to +80C) Optional

Transport four channels of RS-232 or RS-422/ RS-485 serial data over existing Layer 2/3 networks at extremely low latency.



## Teleprotection Over IP

Specially designed to meet stringent real time requirements for protective relay communications in the power utility industry, this Turbo Serial interface card can perform at less than 3msec. latency, end-to-end, through an Ethernet network. This extremely low latency is irrespective of the protocol used, mirror bit or otherwise, and is unaffected by the number of nodes in between. In short, it's the fastest serial-over-IP solution for teleprotection currently available in the industrial marketplace today.



"Mirrored Bits®" is a registered trademark of Schweitzer Engineering Laboratories Inc.



TC Communications, Inc. Irvine, CA, USA  
[www.tccomm.com](http://www.tccomm.com)

