

12 Volt Power Adapter with 2 Pin Terminal Block

TC3PS-TB-10

- **Double Insulated**
- **Low Leakage Current**
- **Field Changeable AC Plugs**
- **Low Cost**
- **5% NL-FL Regulation**
- **Class B EMI**



TC3PS-TB-10-01
(North American Version)

The TC3PS-TB-10 Universal Power Adapter draws only 1.0 Amp and is compatible with small TC Communications fiber optic products such as the "Pocket Rocket" compact fiber optic modem series. It is a 115/240V AC to 12V DC Power Adapter with a 2-Pin Terminal Block connector.



Applications

This power adapter applies to the following products:

- TC3212
- TC3105
- TC1100
- TC1200
- TC1230
- TC1540
- TC1504
- TC1520
- TC1540
- TC1630

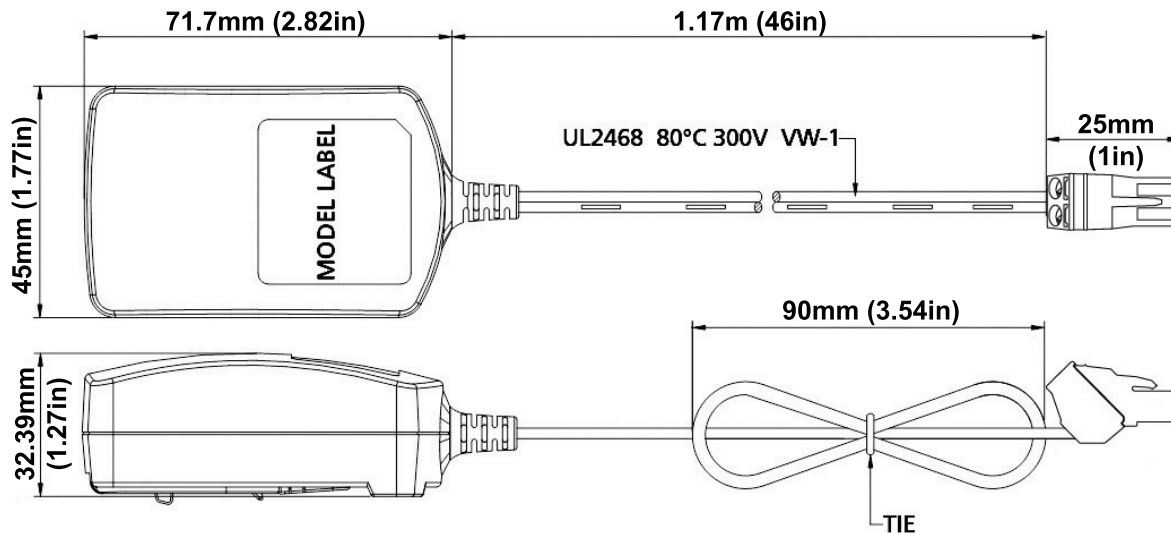


TC3PS-TB-10-03
(European/German Version)



TC3PS-TB-10-04
(United Kingdom Version)

TC Communications, Inc.
17881 Cartwright Rd. Irvine, CA 92614 U.S.A.
Tel: (949) 852-1972, Fax: (949) 852-1948
Sales: (800) 569-4736
Web Site: www.tccomm.com
E-mail: sales@tccomm.com



TC3PS-10 Dimensions

DC Output

Voltage.....12V

Load

Minimum.....0A

Maximum.....1.0A

Ripple (1)

P-P (max).....120mV

Regulation

Line.....+5%

Load.....+5%

*Contact factory for higher requirements



ISO 9001
QMS-SAI Global
#1045959

TC Communications, Inc.
17881 Cartwright Road
Irvine, CA 92614 U.S.A.
Factory Tel: (949) 852-1972
Fax: (949) 852-1948

Sales Office
U.S.A. Domestic International:
(800) 569-4736 (949) 852-1973

Web Site: www.tccomm.com
E-mail: sales@tccomm.com