

RS-449/RS-422 High Speed Sync/Async Fiber Optic Modem

Model TC1720

- Async data rates up to 10 Mbps
- Sync data rates up to 5 Mbps
- Distances up to 80km*
- Interchangeable Interfaces
- Multimode (1300nm) or Single Mode (1300/1550nm)
- Built-In Test Signal Generator
- Local & Remote Loopback
- Built-In Power Redundancy
- Optical Redundancy (optional)
- Local Dry Contact Alarm Relay
- Rackmount, Standalone or Wall Mount
- Hardened Temperature Version



TC1720S Standalone Unit



2 X TC1720R (Housed in TCRM196 19" Rackmount Card Cage)

The TC1720 is ideal for applications requiring high data rates. It supports asynchronous data rates up to 10Mbps and synchronous rates up to 5Mbps.

Distances up to 80km* are possible depending on various factors including electrical interface, optical transmitter, fiber type and quality. Power redundancy is standard. Optical redundancy is optional.

Available for multimode (1300nm) or single mode (1300/1550nm), the TC1720 is compatible with all popular sizes and types of fiber optic cable. Fiber optic connectors are ST or FC. Electrical connectors are DB37 female. Power is 12VDC (standard), 24VDC, -48VDC, 125VDC or 115/230VAC with an external power cube.

Diagnostics are extensive and include a built-in Test Signal Generator, local & remote loopback tests and LEDs for Power, Alarm, Tx, Rx and all applicable control signals. The Test Signal Generator verifies both device and fiber optic link operation.

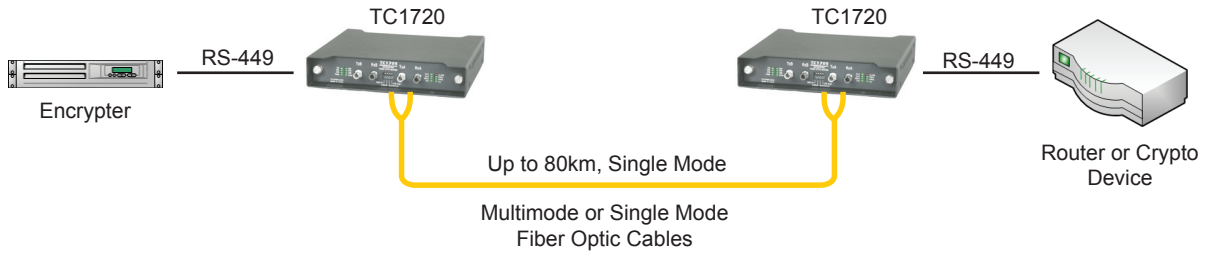
The TC1720 is available in two versions: TC1720R Rackmount Card for installation in a 19" rack assembly (TCRM192 or TCRM196) or TC1720S Standalone version. Standalone or rackmount versions can be mixed or matched on either end. There are two optional versions (Model TC1720T) for high temp and extreme temp applications (-20°C to 70°C & -40°C to 80°C).

*Contact factory for higher requirements (Laser version)

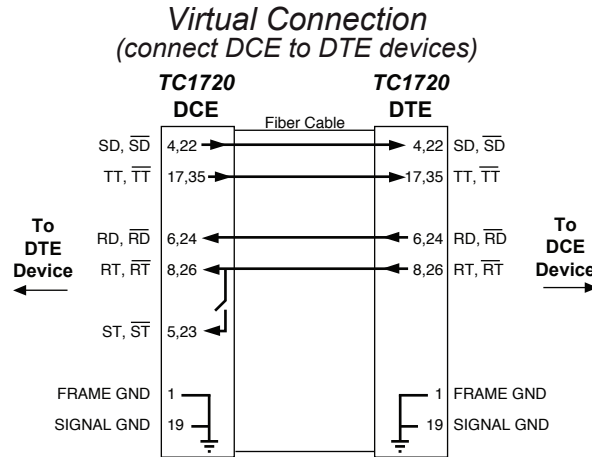


The TC1720 is often used to link a wide variety of synchronous or asynchronous devices to a central CPU in a campus or intra-building fiber optic network.

TC Communications, Inc.
17881 Cartwright Rd. Irvine, CA 92614 U.S.A.
Tel: (949) 852-1972, Fax: (949) 852-1948
Sales: (800) 569-4736
Web Site: www.tccomm.com
E-mail: sales@tccomm.com



Typical Point-to-Point Application Using TC1720 Multi-Interface Fiber Optic Modems



Data Rates

RS-422/RS-449 (Async)
.....up to 10 Mbps
RS-422/RS-449 (Sync)
.....up to 5 Mbps

Optical

Transmitter
.....LED/LASER* with AGC
Receiver.....PIN Diode
Wavelength.....1300nm MM
.....1300/1550nm SM
Fiber Optic Connectors.....ST or FC
Loss Budget* - 1300/1550nm
Multimode @ 62.5/125µm.....15dB
Single Mode @ 9/125µm.....20dB

Electrical

Interfaces/Connector
RS-449DB37 Male

System

Bit Error Rate1 in 10⁹ or better
Dry Contact AlarmNormal OPEN

Diagnostic Functions

.....Local & Remote Loopback,
.....Signal Generator, Disable Alarm

Visual Indicators

System StatusPWRA, PWRB,
.....Vcc, ALARM
Electrical Signal Status.....TxD, RxD
.....DTE, "data & timing LEDs"
Optic Signal Status.....Rx-A, Rx-B

Power

Standard12VDC @300mA
Optional24Vdc, -48Vdc, 125Vdc
.....or 115/230VAC w/ power cube

Temperature

Operating-10°C to 50°C
Hi-Temp1 (option)-20°C to 70°C
Hi-Temp2 (option)-40°C to 80°C
Storage.....-40°C to 90°C
Humidity95% non-condensing

Physical (Standalone Unit)

Height.....(3.53 cm) 1.39"
Width.....(18.13 cm) 7.14"
Depth.....(16.59 cm) 6.53"
Weight.....(544 gm) 1.2 lbs

*Contact factory for higher requirements (LASER)



ISO 9001
QMI-SAI Global
#1045959

TC Communications, Inc.
17881 Cartwright Road
Irvine, CA 92614 U.S.A.
Factory Tel: (949) 852-1972
Fax: (949) 852-1948

Sales Office
U.S.A. Domestic International
(800) 569-4736 (949) 852-1973

Web Site: www.tccomm.com
E-mail: sales@tccomm.com