

"Pocket Rocket" RS-232 Async w/Handshake Fiber Optic Modem

TC1200

- Async Data Rates up to 120 Kbps
- 3 Independent Channels (or 1-chan w/ handshake)
- 5 Control Signals (RTS, CTS, DTR, DSR & CD)
- Multimode or Single Mode (850/1300/1550nm)
- Six Diagnostic LEDs
- Local & Remote Loopback
- Hardened Temperature Version (optional)
- Distances up to 80 Km



TC1200 Wallmount Base Unit

The TC1200 is a 3-channel asynchronous RS-232 fiber optic modem that provides up to five bi-directional control (or handshake) signals (RTS, CTS, DTR, DSR and CD). It offers the versatility of linking three data communications devices over a single duplex fiber or one device with a bi-directional control.

The TC1200 supports data rates up to 120 Kbps. A hardened temperature version (-20°C to 70°C) is optional. Six Diagnostic indicators indicate power, electrical signal status and optic sync. It is a DCE device only and performs Local & Remote loopbacks (for diagnostics) with the flip of a switch.

The TC1200 is compatible with all popular types and sizes of multimode (850/1300nm) or single mode (1300/1550nm) fiber optic cable. Fiber optic connector are ST or FC. Electrical connector is DB25 Female. Standard power is 12 VDC or 115/230 VAC with an external power cube.

Because the TC1200 can also function as a 3-channel multiplexer by using the control signal channels as data channels, it is particularly cost effective.

Note: The term "Pocket Rocket" refers to the TC Communications family of small, durable and reliable Fiber Optic Modems. Available with a wide variety of interfaces and features, Pocket Rockets combine to provide solutions for most applications encountered in a general purpose fiber optic network.

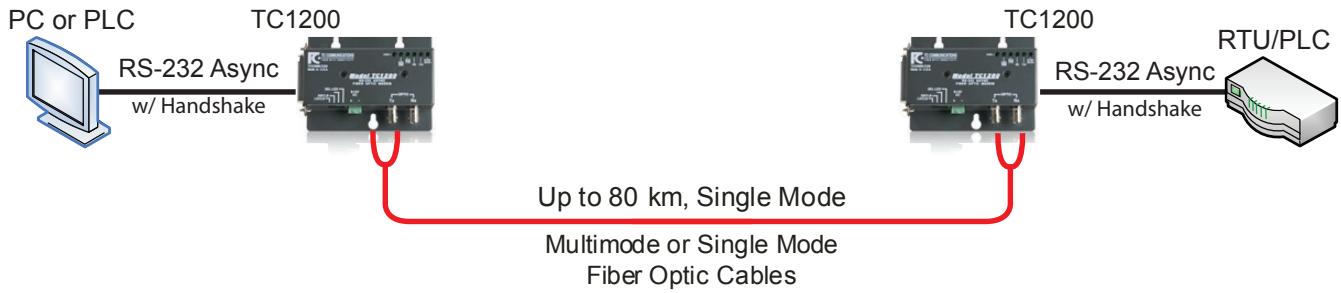


Applications

Typical applications include linking remote terminals or printers to host computers, tail circuits to existing multiplexers and extending data communications links.

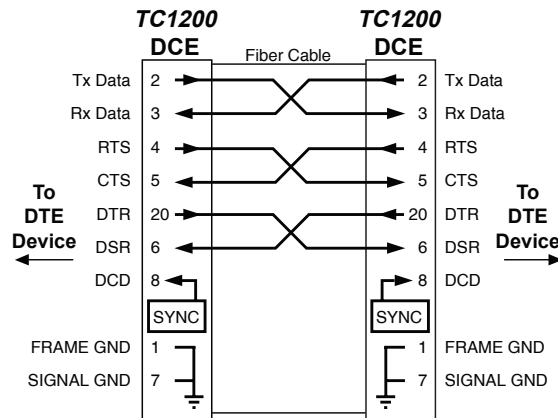
Fiber Optic Modems are also ideal for connecting data communications devices in harsh manufacturing or outdoor environments where EMI or RFI interference, ground loops and lightning are prevalent.

TC Communications, Inc.
17881 Cartwright Rd. Irvine, CA 92614 U.S.A.
Tel: (949) 852-1972, Fax: (949) 852-1948
Sales: (800) 569-4736
Web Site: www.tccomm.com
E-mail: sales@tccomm.com



Typical Point-to-Point Application Using TC1200 Async w/Handshake Fiber Optic Modems

Virtual Connection
(connect two DTE devices)



Data Rates

Async.....up to 120 Kbps

Optical

Transmitter.....LED/ELED

Receiver.....PIN Diode

Wavelength.....850/1300nm MM

.....1300/1550nm SM

Fiber Optic Connectors

.....ST, Optional FC

Loss Budget* - 850/1300/1550nm

Multimode @62.5/125µm.....15dB

Single Mode @9/125µm.....20dB

Electrical

Connector.....DB25 Female

Interface.....(DCE ONLY) RS-232

System

Bit Error Rate.....1 in 10⁹ or better

Visual Indicators

LEDs..... PWR, DTR, DSR, RTS, CTS,

.....RD, TxD, DCD (SYNC)

Power

Standard.....12VDC @250mA

Optional....115/230VAC w/power cube

*Can be powered through DB25 Pin 9 with sufficient power (12VDC @250mA)

Temperature

Operating.....-10°C to 50°C

Hi-Temp (optional).....-20°C to 70°C

Storage.....-40°C to 90°C

Humidity.....95% non-condensing

Physical (Standalone Unit)

Height.....(2.24 cm) 0.88"

Width.....(10.05 cm) 3.96"

Depth.....(7.77 cm) 3.06"

Weight.....(104.0 gm) 3.67 oz

*Contact factory for higher requirements



ISO 9001
QMI-SAI Global
#1045959

TC Communications, Inc.
17881 Cartwright Road
Irvine, CA 92614 U.S.A.
Factory Tel: (949) 852-1972
Fax: (949) 852-1948

Sales Office
U.S.A. Domestic International:
(800) 569-4736 (949) 852-1973

Web Site: www.tccomm.com
E-mail: sales@tccomm.com

Note: Information contained in this data sheet is subject to change without prior notice.