

# TC1630R/S

## RACK MOUNT/STAND ALONE T1/E1 FIBER OPTIC MODEM

# User's Manual

MODEL: \_\_\_\_\_

S/N: \_\_\_\_\_

DATE: \_\_\_\_\_

### Notice!

Although every effort has been made to insure that this manual is current and accurate as of date of publication, no guarantee is given or implied that this document is error free or accurate with regard to any specification. TC Communications, Inc. reserves the right to change or modify the contents of this manual at any time without prior notification.

© COPYRIGHT 1992-2007. ALL RIGHTS RESERVED.



**TC Communications, Inc. 17881 Cartwright Road - Irvine, CA 92614**

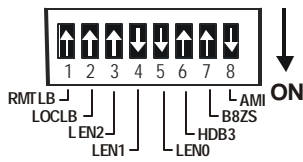
Tel: (949) 852-1972 Fax: (949) 852-1948 Web Site: [www.tccomm.com](http://www.tccomm.com) Email: [info@tccomm.com](mailto:info@tccomm.com)

## Factory Default Configuration

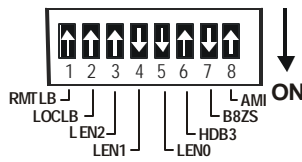
This unit has been setup at the factory as follows:

LINE CODE				LINE LENGTH				
AMI	B8ZS	HDB3	T1/E1	0-133	133-266	266-399	399-533	533-655

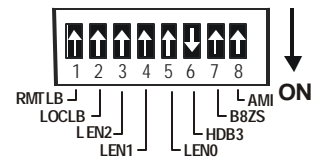
SW1: Line Code/Line Length switch setting (Only one setting should be marked):



(     )



(     )



(     )

# Table Of Contents

<b>Factory Default Configuration .....</b>	<b>2</b>
<b>Chapter 1 - Overview .....</b>	<b>4</b>
Description .....	4
Front Panel.....	5
LEDs Functions .....	5
DIP Switch Functions .....	6
Fiber Optic Specifications .....	6
Transmission Distances (typical) .....	6
Launch Power & Sensitivity .....	6
Rear Panel.....	7
Functional Description .....	8
<b>Chapter 2 - Installation .....</b>	<b>9</b>
Unpacking the Unit .....	9
Equipment Location .....	9
Power Supply .....	9
T1/E1 Connection .....	9
Dry Contact Alarm Switch (optional) .....	9
Installation Procedure .....	9
TC1630R/S's Configuration .....	10
System Start Up .....	11
<b>Chapter 3 - Troubleshooting .....</b>	<b>12</b>
General .....	12
All LEDs are Off .....	12
Alarm LED .....	12
Optic Cable Types .....	12
Calculating the Fiber Optic Loss Budget .....	12
Cable Connection Verification .....	13
Dry Contact Alarm Relay .....	13
<b>Chapter 4 - Bench Tests .....</b>	<b>14</b>
General .....	14
Test Equipment Requirements .....	14
Pre-Installation Tests .....	14
Local Loopback Test .....	14
Optical Loopback Test .....	15
Remote Optic Loopback Test .....	15
<b>Chapter 5 - Component Placement .....</b>	<b>16</b>
<b>Chapter 6 - Specifications .....</b>	<b>17</b>
<b>Appendix A .....</b>	<b>18</b>
Setting the E1 Interface Impedance .....	18
<b>Appendix B .....</b>	<b>19</b>
Electrical Signal Cable Connection .....	19
<b>Appendix C .....</b>	<b>20</b>
19" Rack with Dual Power Cards .....	20
<b>Appendix D .....</b>	<b>22</b>
Return Policy .....	22
Warranty .....	22

# Chapter 1 - Overview

## Description

The Model TC1630R/S is a T1/E1 Fiber Optic Modem that converts analog T1 or E1 signals to digital fiber optic signal and vice versa. TC1630R is for 19" rackmount and TC1630S is for standalone unit. Both have the same functions and features, the only difference is power connectors. For convenience, TC1630R/S and TC1630 will be used interchangeably throughout this manual.

TC1630 offers advanced features such as digital transmission, jitter removal and a field replaceable Line Interface Module. Because it is based on modern FPGA (Field Programmable Gate Array) technology, the IC chip counts are reduced to a minimum, hence offering extremely low power consumption (less than 3 watts) and higher reliability.

Transparent to the framing format, the TC1630R/S's T1/E1 interface shapes the transmit pulse to support CCITT G.703, or, for connecting to DSX-1 cross connects, copper line distances are from 0 to 655 feet. The internal elastic buffer removes jitter from transmit data.

The TC1630R/S has multiple LED indicators to ease installation and troubleshooting. These LEDs indicate power, operating voltage, alarm status, local and remote T1/E1 signal loss, bipolar violations, all ones warning, Optic signal sync active and more. Eight DIP switches, accessible from the front panel, control settings for Line Code, Line Length, Local Loopback and Remote Loopback. The dry contact alarm relay switch provides remote alarm monitoring capability.

The TC1630R/S is compatible with all types and sizes of fiber optic cable. Fiber optic connectors are ST (optional FC). T1 or E1 signal can be connected to two pairs feed-thru detachable terminals or a RJ-48C connector at the rear panel. Input power is 12V DC or 115/230V AC with an external power cube. Alternate power sources are available as an option (see Chapter 6 - Specifications).

Note: The terms "TC1630R/S" and "TC1630" are used interchangeably in this manual.

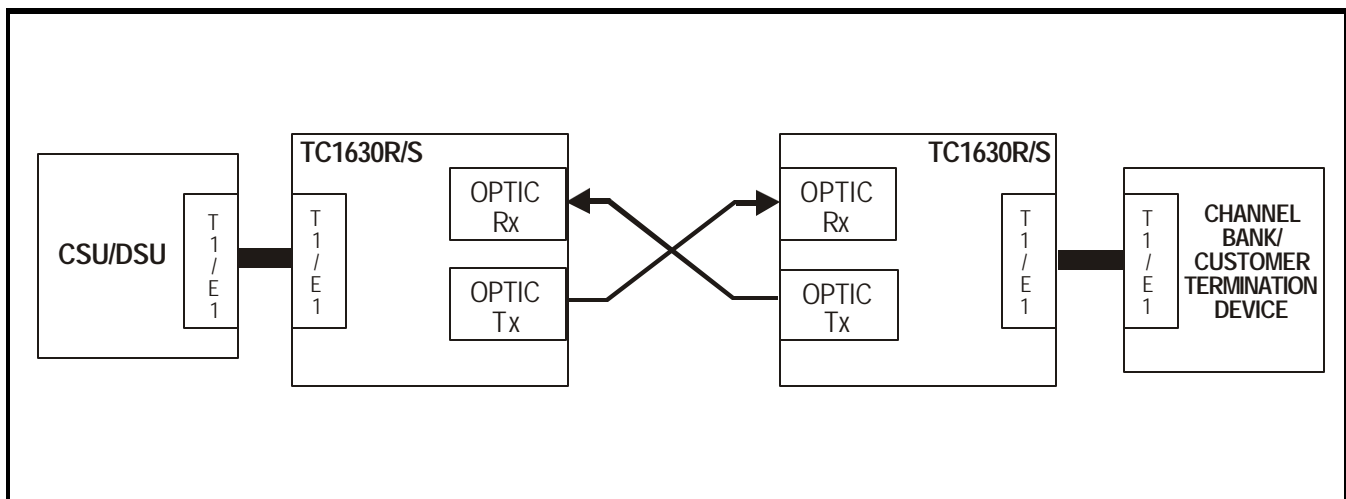


Figure 1. Typical Point-to-Point T1/E1 Application

## Front Panel

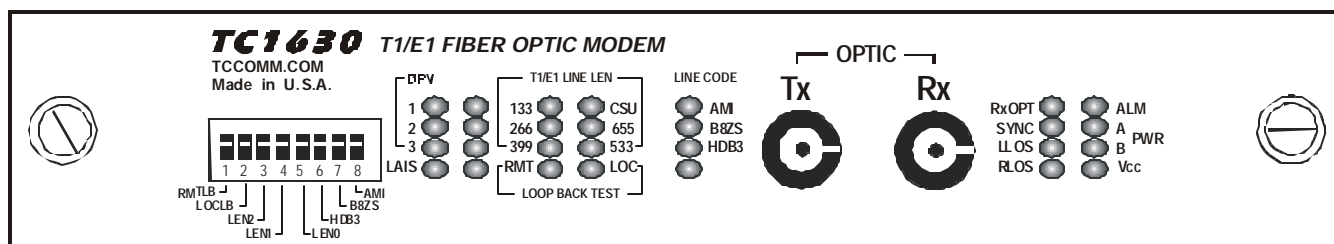


Figure 2. TC1630R/S's Front Panel

### LEDs Functions

#### Alarm-

**ALM:** Alarm indicator. The Alarm LED will light when following conditions occur:

- The unit is in a diagnostic mode.
- When an invalid line code or line length is set.
- Optic signal is lost.
- Local T1/E1 signal is lost or all ones signal is received from customer's device.
- Remote T1/E1 signal is lost.
- When the "Line Distance" setting is set as "1 0 0" (when SW5 is on, and both SW4 and SW3 are Off).

#### Power Supply Status-

**Power A/B:** These LEDs indicate which power source on the rear panel the unit is drawing from. If power redundancy is utilized, both LEDs will light.

**Vcc:** +5V Voltage indicator. This LED should light whenever power is connected to the unit. It indicates the correct operating voltage is being derived from the power source.

#### Optic Signal Status-

**RxOPT:** Solidly lit, it indicates optical signal received. Flashes when the optical signal is lost.

**SYNC:** Indicates a valid composite signal is being received.

#### Configuration Setting-

**AMI/B8ZS/HDB3:** These LEDs indicate the T1/E1 line code setting (SW6, 7, 8). **CSU:** Channel Service Unit indicator. This LED will be lit whenever the minimum T1 Line Length is set (see Configuration Table - page 10).

**133-655/CSU:** These LEDs indicate the T1 Line Length distance setting (SW3, 4, 5).

#### Local T1/E1 status and warning-

**LAIS:** When flashing, it indicates "all ones" signal received from user's equipment.

**LLOS:** When flashing, it indicates the loss of the T1/E1 signal from local user's equipment.

**BPV:** Bipolar Violation LEDs. These LEDs light when bipolar violations (Line Code violations) are detected. The severity of the violation is represented by three LEDs. Higher BPV rates cause more LEDs to light.

**LOC:** Indicates the Local Loopback function is enabled (SW2 is On).

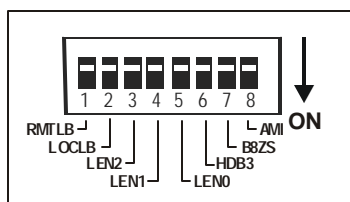
#### Remote T1/E1 status and warning-

**RLOS:** When flashing, it indicates the loss of the T1/E1 signal from remote user's equipment. This LED will be Off when no fiber cable is connected or the fiber cable is bad.

**RMT:** Indicates the Remote Loopback function is enabled (local SW1 is On).

## DIP Switch Functions

Slide switch to the Right (On) position to activate the function.



**AMI/B8ZS/HDB3:** These switches select the Line Code (see Figure 5).

**LEN0/LEN1/LEN2:** These switches define the DSX-1 cross connect distance. There are 5 partitions to choose from. In a T1 application, this is the length of twisted pair cable connecting the TC1630R/S to the user's equipment, which may be a CSU or DSU. The cable lengths can be from 0 to 655 feet (see Figure 5).

**Local LBT:** This switch initiates the Local Loopback function. The T1/E1 signal is received and decoded, then looped back to the T1/E1 "out" terminals for diagnostic testing.

**Remote LBT:** This switch activates remote unit into Remote Loopback function. The composite optic signal is transmitted to remote unit and decoded, then looped back to local unit.

## Fiber Optic Specifications

### Transmission Distances (typical)

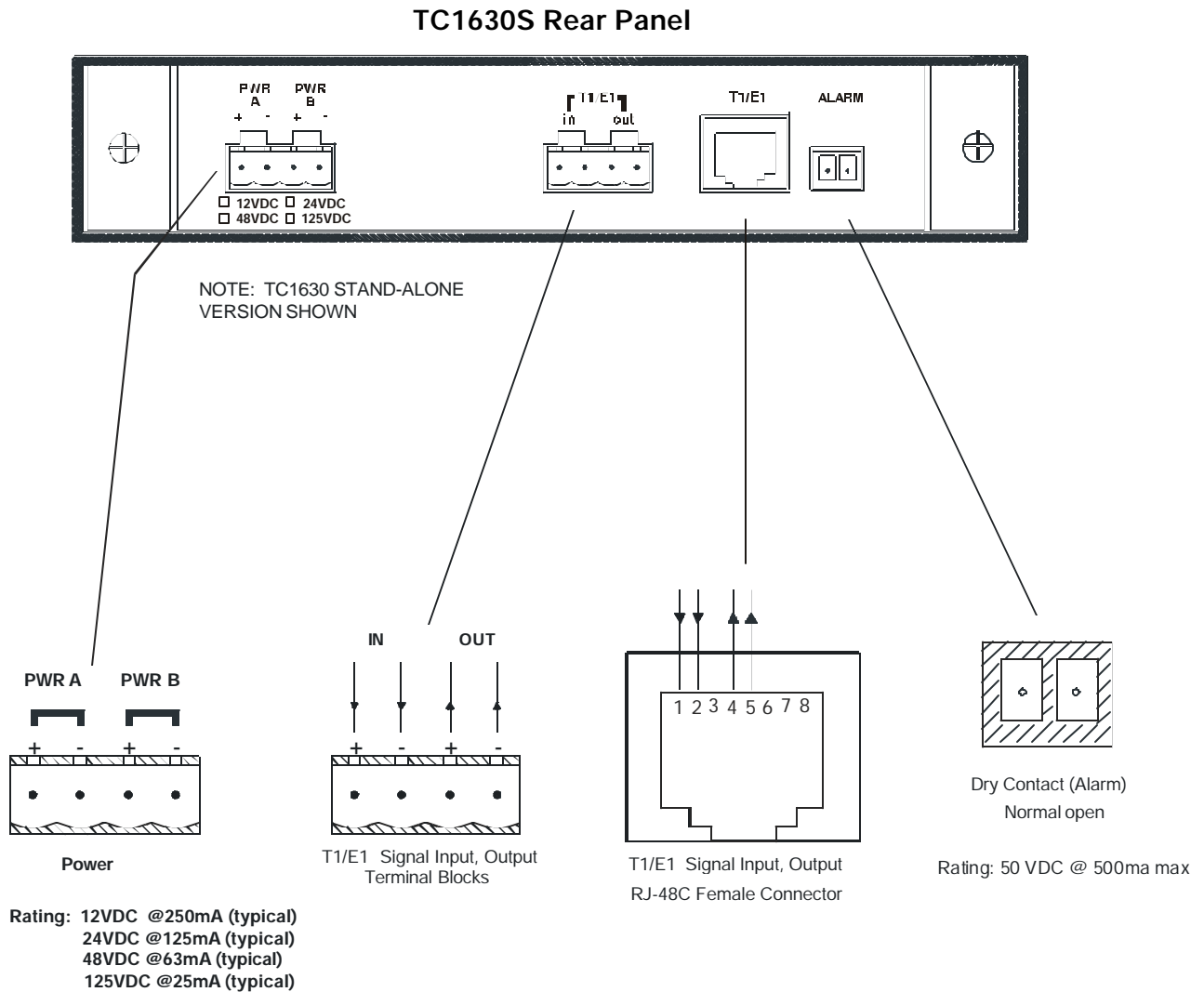
The TC1630R/S is compatible with all popular sizes and types of fiber. Transmission distances up to 3km\* are typical over Multimode fiber at 850nm and 4km\* at 1310nm. Distances to 35km\* are typical over Single Mode fiber at 1310nm.

### Launch Power & Sensitivity

Transmitter:	LED/ELED; typical Launch Power -	-19dBm* (850nm/1310nm MM, @62.5/125µm) -15dBm* (1310nm Single Mode, @9/125µm)
Receiver:	PIN Diode; typical Sensitivity -	-35dBm* (850nm/1310nm MM, @62.5/125µm) -35dBm* (1310nm Single Mode, @9/125µm)

*\*Launch power, sensitivity and distance are listed for reference only. These numbers may vary. Contact factory for higher loss budget requirements.*

## Rear Panel



- \* Note 1: The T1/E1 signal can be connected to either the terminal block connectors or the RJ-45F connector as shown above on the rear panel, **but not on both** at the same time.
- \* Note 2: The T1/E1 signal is bipolar, independent of the polarity. Polarity on the "IN" & "OUT" terminal block connector shown above is shown for reference only.

**Figure 3. TC1630S Rear Panel**

## Functional Description

As shown in figure 4, the TC1630 consists of five basic function blocks: DIP switches, LEDs, T1/E1 interface, T1/E1 signal processor and optic interface.

DIP switches are used to configure the TC1630 according to a customer's application such as line code and line distances. LEDs are used to display corresponding DIP switches settings, power supply status, optic signal status, signal warnings, alarm, etc... the T1/E1 interface converts T1/E1 analog signals to digital signals and provides local and remote loopback function. The signal processor composes T1/E1's timing and data to a bit stream. The optic interface converts the electrical bit stream to an optic signal and vice versa.

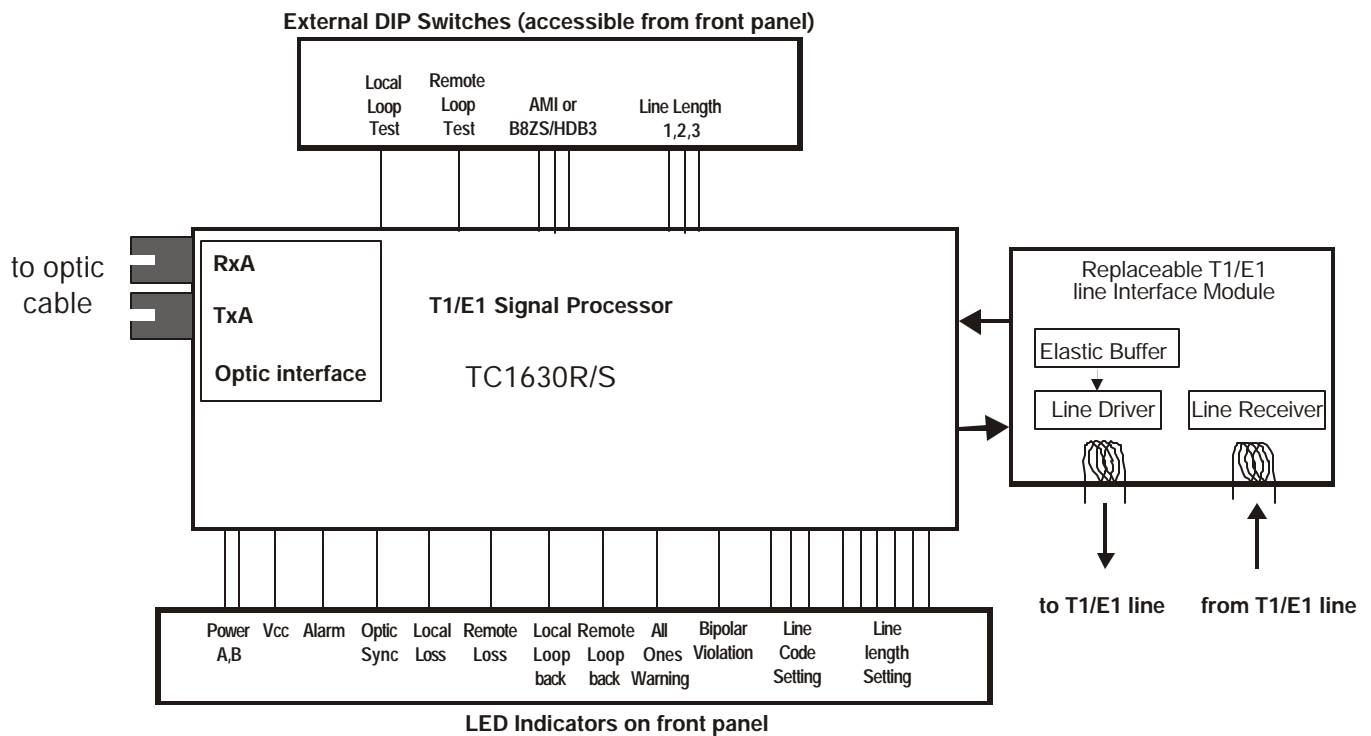


Figure 4. TC1630R/S Functional Diagram



## Chapter 2 - Installation

---

### Unpacking the Unit

---

Before unpacking any equipment, inspect all shipping containers for evidence of external damage caused during transportation. The equipment should also be inspected for damage after it is removed from the container(s). Claims concerning shipping damage should be made directly to the pertinent shipping agencies. Any discrepancies should be reported immediately to the Customer Service Department at TC Communications, Inc.

### Equipment Location

---

The TC1630R/S should be located in an area that provides adequate light, work space, and ventilation. Avoid locating it next to any equipment that may produce electrical interference or strong magnetic fields, such as elevator shafts or heavy duty power supplies. As with any electronic equipment, keep the unit from excessive moisture, heat, vibration, and freezing temperatures.

### Power Supply

---

The TC1630S is powered by an external DC power adapter rated 12VDC @250mA. There are two power jacks at the rear panel for power redundancy. TC1630R is the rackmount version of the TC1630S. It can be inserted into the card slot when power is on (hot swappable).

### T1/E1 Connection

---

Two pairs of terminal block connectors and/or an RJ-45F connector are provide for the connection of the T1/E1 wire pairs. When viewing the rear panel, the left pair of terminal block connectors are for T1/E1 signal going into the TC1630R/S (receive), while the right pair of terminal block connectors are for the transmit signal coming out of the unit. Note: The T1/E1 signal can be connected to either the terminal block connectors or the RJ-45F connector, **but not on both** at the same time, refer to page 7.

### Dry Contact Alarm Switch

---

A terminal block connector at the rear panel provides for the Dry Contact Relay Alarm. Normally in the CLOSED position, any alarm condition will force the switch to the OPEN position. This relay can be configured by the user if necessary (see Chapter 3 - Troubleshooting).

### Installation Procedure

---

The TC1630R/S is designed for quick and easy installation. First, configure the modem for your specific application by setting the Line Code and Line Length DIP switches. Once configured, you can connect the optical, T1/E1 signal source and power.

#### Installation Procedure:

1. Select the Line Code (SW6, 7, 8).
2. For T1, select the Line Length (SW3, 4, 5).
3. Connect the T1/E1 signal source, either terminal blocks or RJ-48C connector.
4. Connect the optic cables. Verify single mode or multimode optic cable according to your TC1630 ordered. Using incorrect optic cables will result in a malfunction. Verify optic connections.
5. Connect the power. All the LEDs should flash for approximately three seconds.

After installation is completed, it is an excellent idea to verify the optical cable loss. This reading will both verify the integrity of the circuit and provide a benchmark for future troubleshooting efforts.

## TC1630R/S's Configuration

1. Select the application's Line Code: SW6, 7 or 8. Slide the appropriate switch to the Down (On) position.

**AMI:** set SW8 to the Down (On) position.

**B8ZS:** set SW7 to the Down (On) position.

**HDB3:** set SW6 to the Down (On) position.

Only one of the above switches should be selected, as any two switches in the Down (On) position will cause the "Alarm" LED to flash.

2. Select the Line Length setting for T1: SW3, 4, 5 (see Figure 5). Slide the appropriate switches to the Down position.

Depending on the distance between the TC1630R/S and the T1 cross connect, set the Line Length for the T1 transmit line driver according to the table below. When connecting to DSX-1 cross-connects for Line Lengths ranging from 0 to 655 feet, see DIP Switch Functions on page 6. There is no need to set the Line Length for E1 applications; set SW3, 4, and 5 to the Up (Off) position.

**Note:** The "Line Length" setting "1 0 0" is invalid. If "Line Length" is set as (1 0 0), then the Alarm LED will flash, indicating the setting is invalid.

Legend: 0 = Off 1 = On			LINE CODE			LINE LENGTH			LOCAL & REMOTE LOOPBACK TESTS	
			SW8	SW7	SW6	SW5	SW4	SW3		
AMI	DSX-1 ABAM	0-133 feet	1	0	0	1	1	0	0	0
		133-266 feet	1	0	0	0	0	1	0	0
		266-399 feet	1	0	0	1	0	1	0	0
		399-533 feet	1	0	0	0	1	1	0	0
		533-655 feet	1	0	0	1	1	1	0	0
	CSU NETWORK INTERFACE	0-655 feet	1	0	0	0	1	0	0	0
			1	0	0	1	1	0	0	0
B8ZS	DSX-1 ABAM	0-133 feet	0	1	0	1	1	0	0	0
		133-266 feet	0	1	0	0	0	1	0	0
		266-399 feet	0	1	0	1	0	1	0	0
		399-533 feet	0	1	0	0	1	1	0	0
		533-655 feet	0	1	0	1	1	1	0	0
	CSU NETWORK INTERFACE	0-655 feet	0	1	0	0	1	0	0	0
			0	1	0	1	1	0	0	0
HDB3	PCM-30, G.703	0-655 feet	0	0	1	0	0	0	0	0

Figure 5. TC1630R/S Configuration Table

3. Connect the T1 or E1 signal.

**T1 signal connection for 100 ohm line:** Connect the incoming T1 signal (from your equipment) to the "in" terminal blocks on the rear panel; they are not polarity sensitive. A valid T1 signal will cause the "LLOS" LED turn to off. Connect the outgoing T1 signal (received from the optical cable) to the "out" terminal blocks.

**E1 signal connection** (The E1 interface can be used for either 75 or 120 ohm line - see Appendix A):

**75 ohm line:** Connect the incoming signal (from your equipment) to the "in" BNC adapter. Connect the outgoing signal (received from optical cable) to the "out" BNC adapter.

**120 ohm line:** If twisted-pairs are used, connect the wires in the same way as the T1's wire. If dual coaxial is used, connect the cores to the "in" terminal blocks for the incoming signal and to the "out" terminal blocks for the outgoing signal (each cable has two cores & a shield).

4. Verify optical connections:

Make sure the local TC1630's optic "Tx" is connected to the remote TC1630's optic "Rx" (and vice-versa).

5. Connect power to both units.

## System Start Up

---

When power is initially connected, the following conditions should be observed:

1. The "POWER A" and/or "B" LED is lit.
2. The "LLOS" LED is Off, indicating a valid T1 or E1 signal input.
3. The "ALARM" LED should be Off.

Start the T1/E1 signal transmission:

4. The "POWER A" and/or "B" LED stays lit.
5. The "SYNC" LED should be lit, indicating a valid received optic signal.
6. One of the line length LED should be lit. If "133" is selected, "CSU" LED should be lit too.

*Note: If the modem is not functioning properly at this point, please refer to Chapter 3 - Troubleshooting.*

## Chapter 3 - Troubleshooting

### General

Alarm conditions occur whenever an optical problem or "fault" condition is detected by the TC1630.

### All LEDs are Off

If no LEDs are lit on the unit, check the DC power supply, terminal block connector plug, change to alternate power jack on the rear panel, fuses A and/or B indicated on page 17, and/or the power source. If the problem persists, contact the Technical Support Department at TC Communications, Inc.

### Alarm LED

When an alarm condition is detected, the Alarm LED will flash. The following fault conditions will cause the alarm to be triggered:

1. Optic signal lost from optic "Rx."
2. Optic signal is marginal, which causes invalid data packets to be received; the "SYNC" LED will be "Off."
3. Received "space" or "mark" from local T1/E1 device.
4. An invalid Line Code setting exists.
5. The Line Length setting does not match the Line Code.
6. The local or remote T1/E1 signal is lost; the "LLOS" or "RLOS" LED will be also be flashing.

Note: The "RLOS" LED will be Off when there is no fiber cable connected or the fiber cable is bad.

### Optic Cable Types

Conventionally, fiber optic cable with **yellow-colored** insulation is used for Single Mode applications; **gray or orange-colored** insulated cable is for Multimode use. If Multimode cable is used in a Single Mode application, the test results could be erroneous and confusing.

### Calculating the Loss on the Fiber

The fiber optic link and/or connectors are frequently the source of various problems. Check out the connectors and the integrity of the link first. Ideally, the link should be calibrated for total loss after the installation has been completed. This will accomplish two things: (1) it will verify that the total loss of the link is within the loss budget of the device and (2) it will provide a benchmark for future testing. For example, a system that has been tested as having 6dB total loss when installed and suddenly tests out as having a loss of 10dB probably has a connector or link problem.

These are the reference values we used to calculate loss on the fiber :

Multimode 850nm	:	3 dB loss per km on 62.5/125µm cable*
Multimode 1310nm	:	2 dB loss per km on 62.5/125µm cable*
Single Mode 1310nm	:	0.5 dB loss per km on 9/125µm cable*
Single Mode 1550nm	:	0.25 dB loss per km on 9/125µm cable*

*\*These numbers are listed for reference only. We recommend an OTDR reading be used to determine actual link loss.*

## Cable Connection Verification

---

### Electrical Cables:

1. Make sure all electrical signal connections match the pin assignments (I/O) for the device (check User's Manual if necessary).
2. Verify signal connections by checking the status LEDs on the front panel of the TC1630R/S. If the "LLOS" LED is flashing, a transmit signal is not being detected from the local device. If the "RLOS" LED is flashing, no response signal is being detected from the remote device.
3. Verify that the correct Line Code setting (and Line Length setting for T1) has been configured and that the appropriate LEDs light to match the setting selected.
4. Conduct a Local Loopback Test to help isolate an electrical interface problem (see Chapter 4 - Bench Tests).

### Optic Cables:

If the "SYNC" LED on the front panel is flashing or Off, this is an indication that the optic signal is not being correctly received. Usually, unsecured fiber optic connectors or faulty cable are to blame. A good connection is indicated by the "SYNC" LED on the front panel being solidly lit. This indicates that the receiving cable is correctly connected to Remote unit's optic "Tx."

## Dry Contact Alarm Relay

---

TC1630 has built-in Dry contact relay switch. The status is for the relay switch is "normal open". It is triggered by following major alarm conditions:

Optic signal lost

Local T1/E1 signal lost

Local user's T1/E1 device is sending "mark" data pattern

Local user's T1/E1 device's signal is causing bipolar violations

Invalid line code setting

Invalid line length setting

The electrical rating for the dry contact relay switch is

50VDC max

500 mA max.

switching power is 10 watts max.

## Chapter 4 - Bench Tests

### General

It is highly recommended to conduct bench tests before actual installation. Bench testing allows the user to become familiar with all the functions and features of the TC1630 in a controlled environment. Knowledge of the TC1630's functions and features will ease installation and troubleshooting efforts later on.

### Test Equipment Requirements

End-user equipment required for testing:

1. Model 5575A T1 Micro BERT (Bit Error Rate Tester) Test Set with Terminal Block Connectors.
2. Two optical cable jumpers (patch cords) with appropriate connectors.

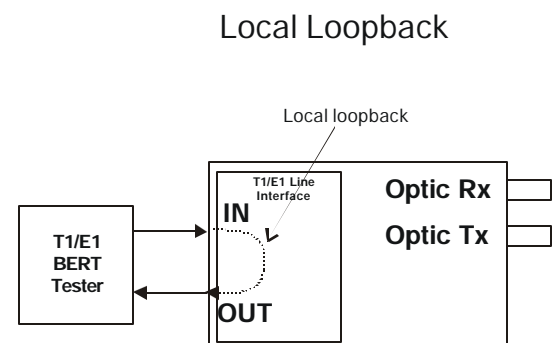
### Pre-Installation Tests

1. Make sure the appropriate power supply accompanies the TC1630R/S unit (see page 9).
2. To verify that the unit functions properly, connect power to the unit's "PWR A" or "B" terminal blocks (be sure to observe correct polarity) without connecting any other cables to the unit.
3. On the front panel, the appropriate green Power "A" or Power "B" LED should be illuminated (depending on whether you plug into the "A" or "B" terminal on the back of the unit). Both lights should be on if you utilize power redundancy (power is plugged into both "A" and "B" on the rear panel).
4. The "ALARM" and "LLOS" LEDs should be flashing.
5. The "Vcc" LED should be illuminated. Please note: all other LEDs can be in a random state (flashing, solidly lit, or off) as only upon proper receipt and transmission of a signal will the TC1630R/S unit set its LEDs appropriately for normal operation. Proceed to the Local Loopback Test.

### Local Loopback Test

The purpose of this test is to verify 1) the signal source recognition and 2) the connection between the incoming signal and the TC1630R/S's terminal blocks.

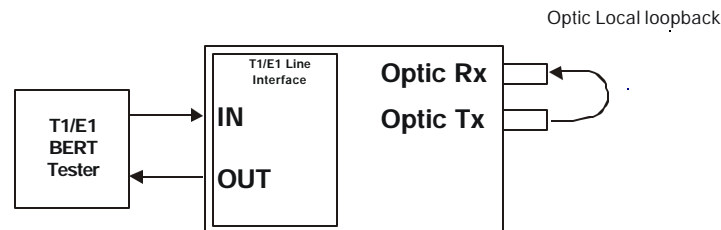
1. Make sure your BERT tester is turned on and configured with the same setup as the TC1630R/S (and your application).
2. Plug in the terminal blocks from the BERT tester to the TC1630R/S's connectors on the rear panel. When the input and output are connected correctly, the "LLOS" LED on the TC1630R/S will turn Off.
3. Slide SW2 (LOCAL LBT) to the Down (On) position. The "LOC" LED should flash on the front panel.
4. Make sure the "TERM" or "BRIDGE" LED on the tester is lit, and that the tester is in the "RUN" mode. The tester should indicate a "SYNC" signal.
5. If any other LEDs illuminate or flash, make sure that all DIP switches on the TC1630R/S are in the correct position, then reset the BERT tester. You should not see any bit errors. To verify this, inject an error using the BERT tester to see if it will be recorded by the tester, then verify that no additional errors appear after the user injected error. Proceed to the Optical Loopback Test.



## Optical Loopback Test

At any time you may use a short optic cable to loopback the unit's Optic "Tx" to "Rx." The "SYNC" LED on the front panel should light (solid) when a good optic signal is received. This test verifies the optic transmitter's function as well as the receiver's. Upon successful completion of this test, proceed to the Remote Loopback Test.

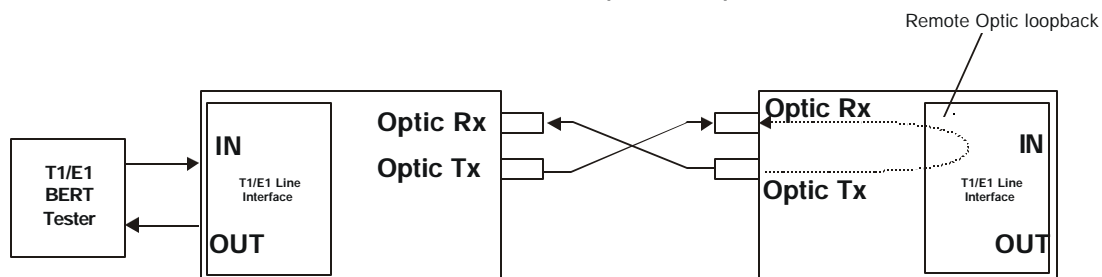
### Local Optical Loopback



### Remote Optical Loopback Test

1. Connect a second TC1630R/S unit. As with the first unit, follow the bench test steps on the previous page. When you have completed the Local Loopback & Optical Loopback tests for the second unit, proceed to the next step.
2. Remove the optical jumper cable from the local unit's "Rx" and connect it to the second unit's optic "Rx." Add a second optical jumper cable to connect the local unit's "Rx" to the second unit's "Tx."
3. Verify that both TC1630R/S units have the same Line Code and Line Length settings.
4. On the local TC1630R/S, slide SW1 (Remote Loopback) to the Down (On) position. The "RMT" LED on the remote TC1630R/S's front panel should flash, as well as the "LLOS" and "ALM" LEDs.
5. Make sure the "TERM" LED on the tester is lit, and that the tester is in the "RUN" mode. The tester should indicate a "SYNC" signal.
6. If any other LEDs illuminate or flash on the unit, make sure that all DIP switches on both of the TC1630's are in the correct position, then reset the BERT tester. You should not see any bit errors.
7. At this point, both units tested will have passed all electrical and optical tests and will have been verified that they are functioning properly. Proceed to the next TC1630 unit to be tested or begin verifying other equipment and cabling in your application (if you have not already done so).

### Remote Optical Loopback



# Chapter 5 - Component Placement

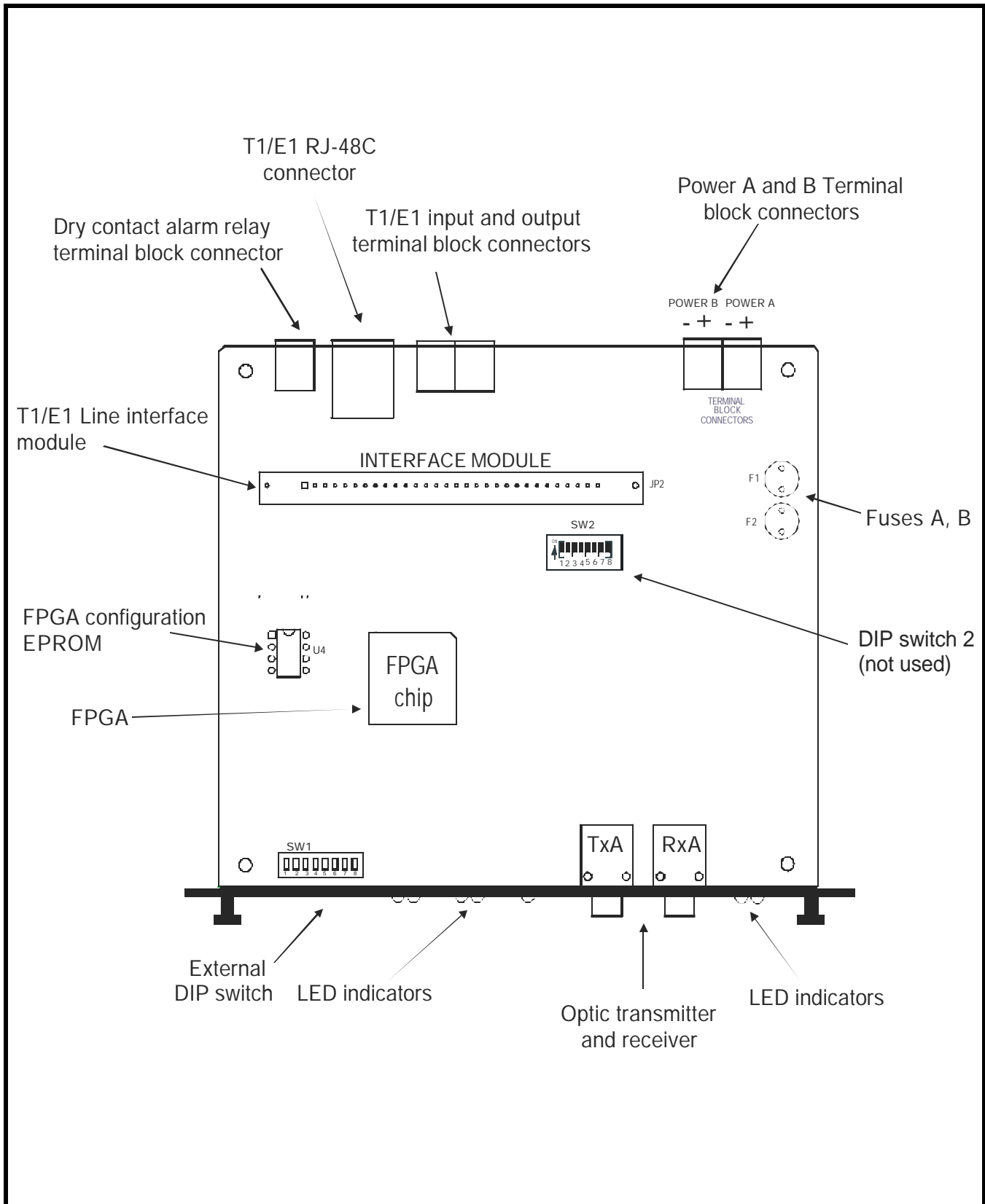


Figure 6. TC1630R/S's Internal PCB



## Chapter 6 - Specifications

### Data Rates

T1 (per channel) .....	1.544 Mbps
E1 (per channel) .....	2.048 Mbps
Line Code .....	AMI, B8ZS, or HDB3

### Optical

Transmitter .....	LED/ELED
Receiver .....	PIN Diode
Wavelength .....	850nm/1310nm Multimode ..... 1310nm Single Mode
Fiber Optic Connectors .....	ST* (FC optional)
Loss Budget .....	15dB Multimode 850nm/1310nm @62.5/125µm ..... 20dB** Single Mode @9/125µm

### Electrical

Interface .....	T1/E1
T1 Connector (100 ohm) .....	Terminal Block
E1 Connector (120 ohm) .....	Terminal Block
E1 Connector (75 ohm) .....	Terminal Block with BNC Adapter

### System

Bit Error Rate .....	1 in 10 <sup>10</sup> or better
Visual Indicators .....	POWER A, POWER B, ALM, Vcc, SYNC, ..... AMI, B8ZS, HDB3, 133, 266, 399, 533, 655, ..... LAIS, LLOS, LOC, RLOS, RMT, BPV (3 LEDs), CSU.
Dry Contact Alarm .....	50VDC, 500ma (10watts)

### Power Source

Standard .....	12V DC(9-14VDC) @250ma (typical)
Optional .....	115V or 230V AC with external power cube
Optional .....	24VDC (18-36VDC), 48VDC (36-75VDC), or 125VDC

### Temperature

Operating .....	-10°C to 50°C
Hi-Temp .....	-20°C to 70°C
Storage .....	-40°C to 90°C
Humidity .....	95% non-condensing

### Physical

<u>Rack Mountable Card</u>	<u>Stand Alone Unit</u>
Height .....	(17.7 cm) 7.0"
Width .....	(3.2 cm) 1.25"
Depth .....	(14.8 cm) 5.75"
Weight .....	(192 gm) 5.44 oz
Height .....	(18.2 cm) 7.2"
Width .....	(3.5 cm) 1.4"
Depth .....	(16.6 cm) 6.60"
Weight .....	(512 gm) 14.5 oz

\*ST is a trademark of AT&T

\*\*Contact factory for requirements higher than 20dB.

## Appendix A

The E1 interface impedance on the TC1630R/S is user configurable by changing the jumpers on the interface module. Please follow the instructions below to set the E1 impedance appropriately.

### Setting the E1 Interface Impedance

1. Unscrew the 2 front panel screws and slide the unit out of it's housing.
2. Locate the interface module at board location JP2 (the board plugs vertically into the main board's socket).
3. For 75 ohm impedance, the jumpers on the interface module should be set as follows:

JP2----- removed

JP1,3,4,5,6----- installed

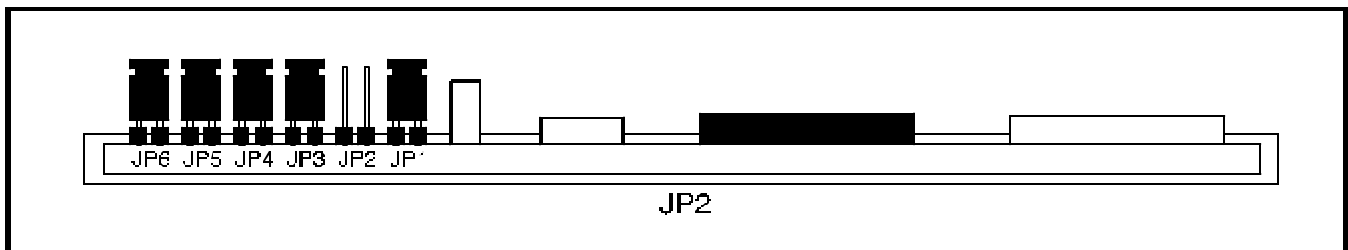


Figure 7. TC1630R/S's E1 (75 ohm) Interface Module Configuration

4. For 120 ohm impedance, the jumpers on the interface module should be set as follows:

**JP1----- installed**

**JP2,3,4,5,6----- removed**

5. Slide the unit back into the housing and secure the 2 front panel screws.

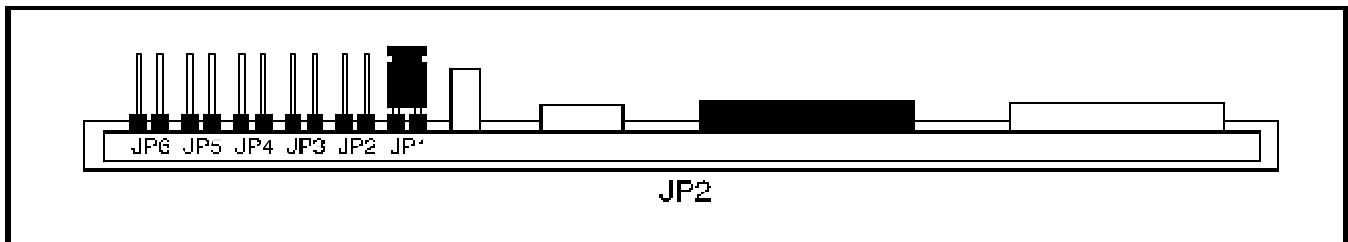


Figure 8. TC1630R/S's E1 (120 ohm) Interface Module Configuration

## Appendix B

### Electrical Signal Cable Connection

The user's device may have a DB15 or RJ45 connector. The following connection diagrams illustrate the signal flow direction and pin assignments typically used with these connectors.

Note: The polarity of the T1/E1 signal is bipolar, independent of the polarity. Polarity is shown for reference only.

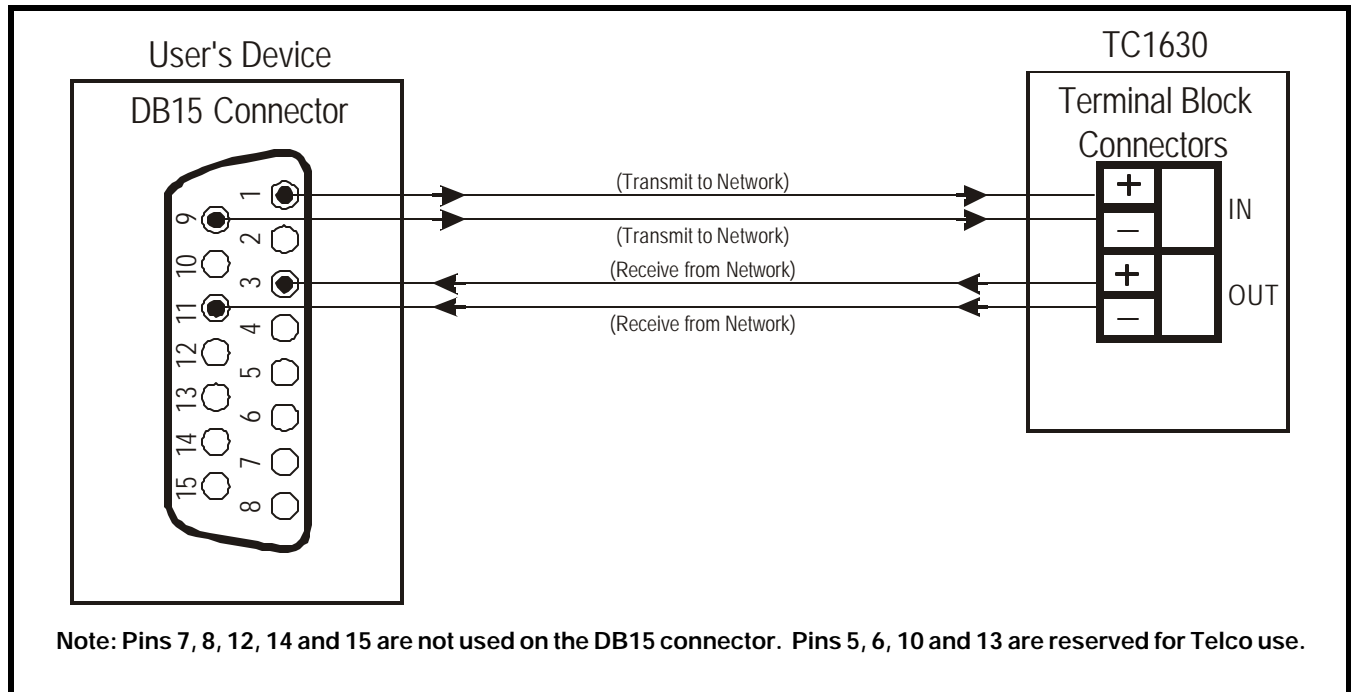


Figure 9. DB15 Connection Diagram

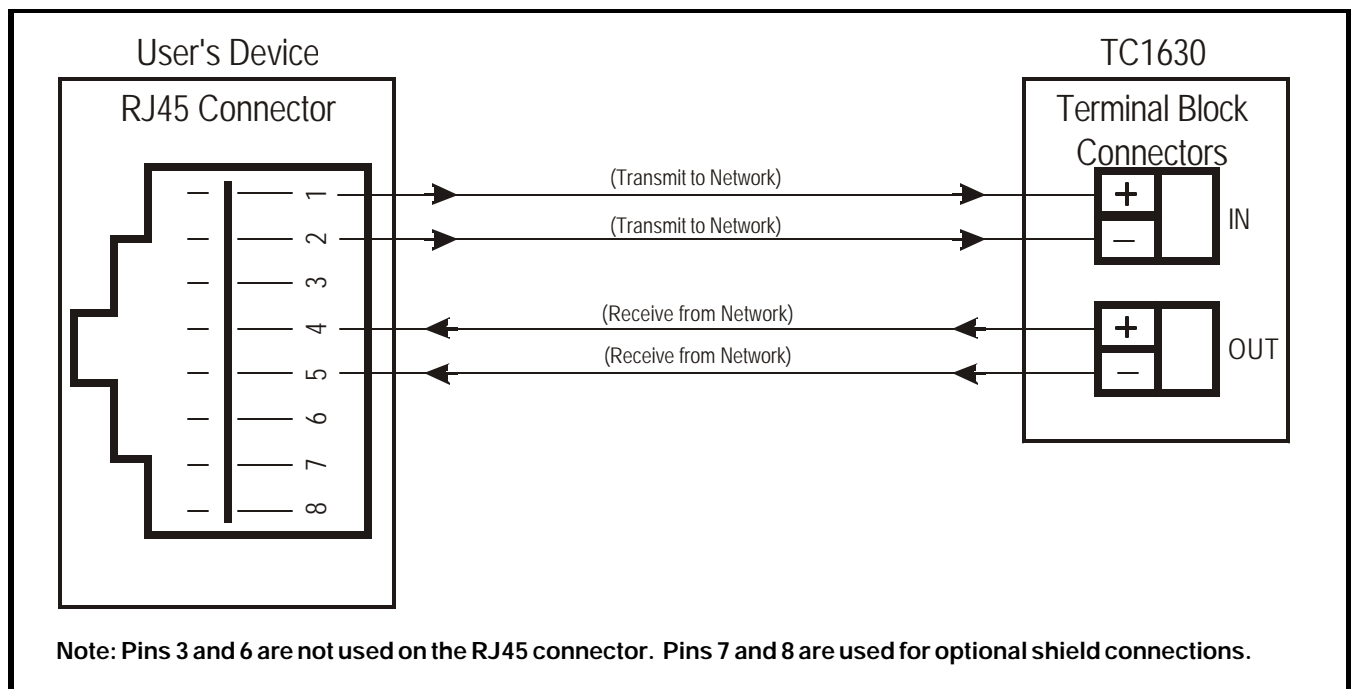


Figure 10. RJ45 Connection Diagram

## Appendix C

### 19" Rack with Dual Power Cards

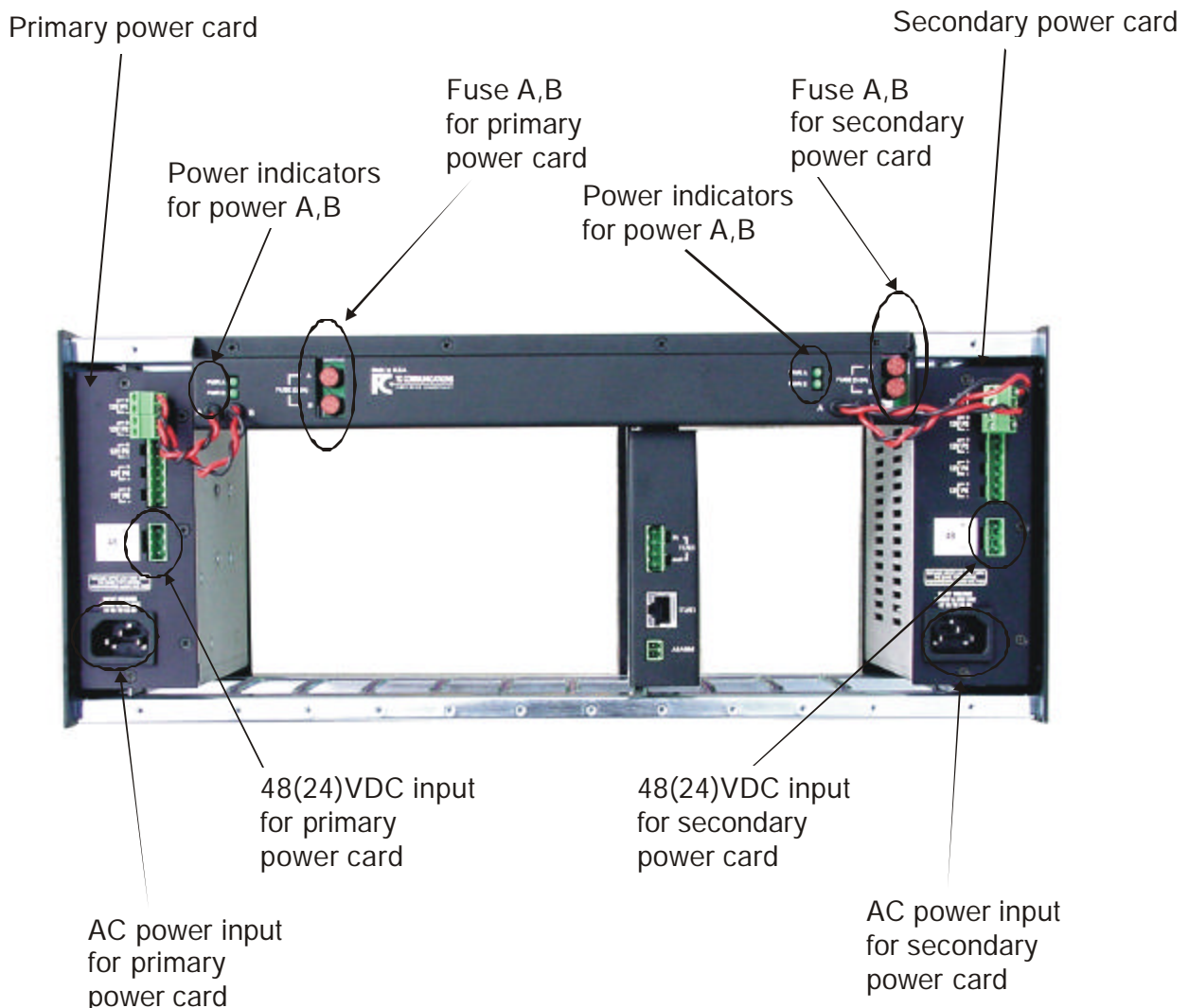
The picture shows the 19" rack with dual power supply cards. It consists of two subassemblies; TCRM192-D-48 which is the 19" rack with dual 48VDC to 12VDC power cards and the TCRM192-BKPL, which is the power back plane. The power card can be ordered for universal AC input or 24VDC input. The output of each kind of power card is 12VDC, different input voltage has different output power rating. They are listed as following:

TCRM192-D-48: 19" rack with dual power cards, each has 48VDC(36-75VDC) input, 12VDC output and 150 Watts.

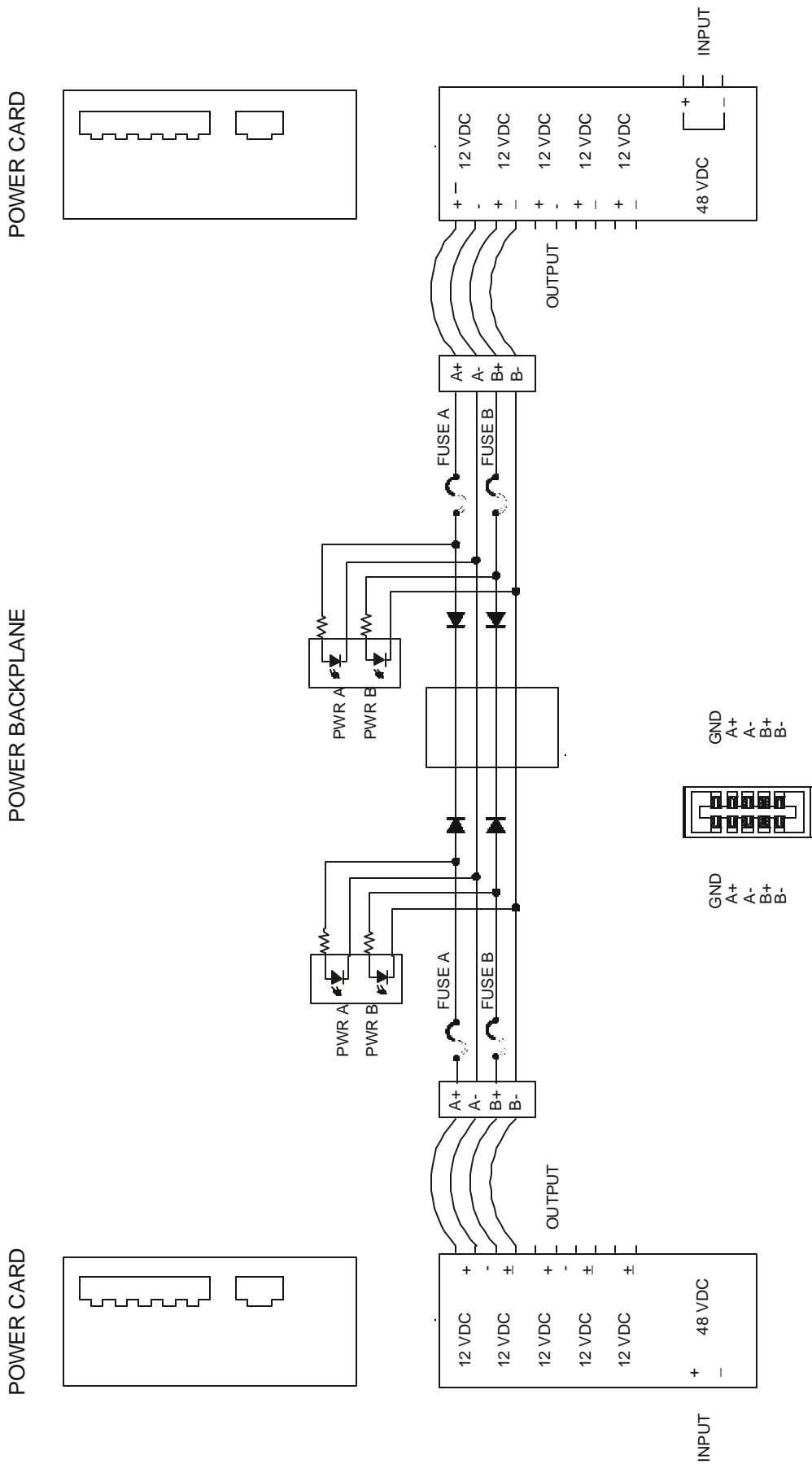
TCRM192-D-24: Same as above but with 24VDC(18-36VDC) input, 12VDC output and 100 Watts output power.

TCRM192-D-01: 19" rack with dual power cards, each has universal AC input (90VAC to 240VAC, 50Hz to 60Hz) with 12VDC output. Maximum output power is 65 Watts. The diagram on the next page shows the equivalent circuits.

The add-on subassembly to the 19" rack is TCRM-bkpl, which is a power strip PCB connected to both power cards via two pair cable assembly. This power back plane has built-in fuses and power indicators to ease installation and trouble-shooting.



# TC1630 RACKMOUNT POWER SUPPLY



INPUT @36-75V  
 OUTPUT @12V + 1% , (5 OUTPUTS)  
 MAX OUTPUT POWER: 150W

## Appendix D

---

### Return Policy

---

To return a product, you must first obtain a Return Material Authorization number from the Customer Service Department. If the product's warranty has expired, you will need to provide a purchase order to authorize the repair. When returning a product for a suspected failure, please provide a description of the problem and any results of diagnostic tests that have been conducted.

### Warranty

---

#### **Damages by lightning or power surges are not covered under this warranty.**

All products manufactured by TC Communications, Inc. come with a five year (beginning 1-1-02) warranty. TC Communications, Inc. warrants to the Buyer that all goods sold will perform in accordance with the applicable data sheets, drawings or written specifications. It also warrants that, at the time of sale, the goods will be free from defects in material or workmanship. This warranty shall apply for a period of five years from the date of shipment, unless goods have been subject to misuse, neglect, altered or destroyed serial number labels, accidents (damages caused in whole or in part to accident, lightning, power surge, floods, fires, earthquakes, natural disasters, or Acts of God.), improper installation or maintenance, or alteration or repair by anyone other than Seller or its authorized representative.

Buyer should notify TC Communications, Inc. promptly in writing of any claim based upon warranty, and TC Communications, Inc., at its option, may first inspect such goods at the premises of the Buyer, or may give written authorization to Buyer to return the goods to TC Communications, Inc., transportation charges prepaid, for examination by TC Communications, Inc. Buyer shall bear the risk of loss until all goods authorized to be returned are delivered to TC Communications, Inc. TC Communications, Inc. shall not be liable for any inspection, packing or labor costs in connection with the return of goods.

In the event that TC Communications, Inc. breaches its obligation of warranty, the sole and exclusive remedy of the Buyer is limited to replacement, repair or credit of the purchase price, at TC Communications, Inc.'s option.

To return a product, you must first obtain a Return Material Authorization (RMA) number and RMA form from the Customer Service Department. If the product's warranty has expired, you will need to provide a purchase order to authorize the repair. When returning a product for a suspected failure, please fill out RMA form provided with a description of the problem(s) and any results of diagnostic tests that have been conducted. The shipping expense to TC Communications should be prepaid. The product should be properly packaged and insured. After the product is repaired, TC Communications will ship the product back to the shipper at TC's cost to U.S. domestic destinations. (Foreign customers are responsible for all shipping costs, duties and taxes [both ways]. We will reject any packages with airway bill indicating TC communications is responsible for Duties and Taxes. To avoid Customs Duties and Taxes, please include proper documents indicating the product(s) are returned for repair/retest).