

12 Volt Power Adapter with 2 or 3 Pin Terminal Block

TC3PS-TB-25

- **Compact Size**
- **Reliable Design**
- **Light Weight**
- **Short Circuit Proof**



TC3PS-TB-25-01
(North American Version)

The TC3PS-TB-25 Universal Power Adapter draws 2.5 Amps and is compatible with standard and large TC Communications products. It is a 115/240V AC to 12V DC Power Adapter with a 2- or 3-Pin Terminal Block connector.



Applications

This power adapter applies to the following products:

- TC8930
- TC8916
- TC8800S/R
- TC8800S/R
- TC8530
- TC8520
- TC8518
- TC8510
- TC8300
- TC8116
- TC8108
- TC8000
- TC4001
- TC3848
- TC3845
- TC3820
- TC3720
- TC3715
- TC3705
- TC3400/3420
- TC3340
- TC3300
- TC3240
- TC3210
- TC3105S/R
- TC3020
- TC3007
- TC3006
- TC3005
- TC3004
- TC2900
- TC2850
- TC2800
- TC2400
- TC2200
- TC2100
- TC1910
- TC1905
- TC1903
- TC1901
- TC1900
- TC1880
- TC1630R
- TC1720
- TC1710
- TC1705
- TC1680

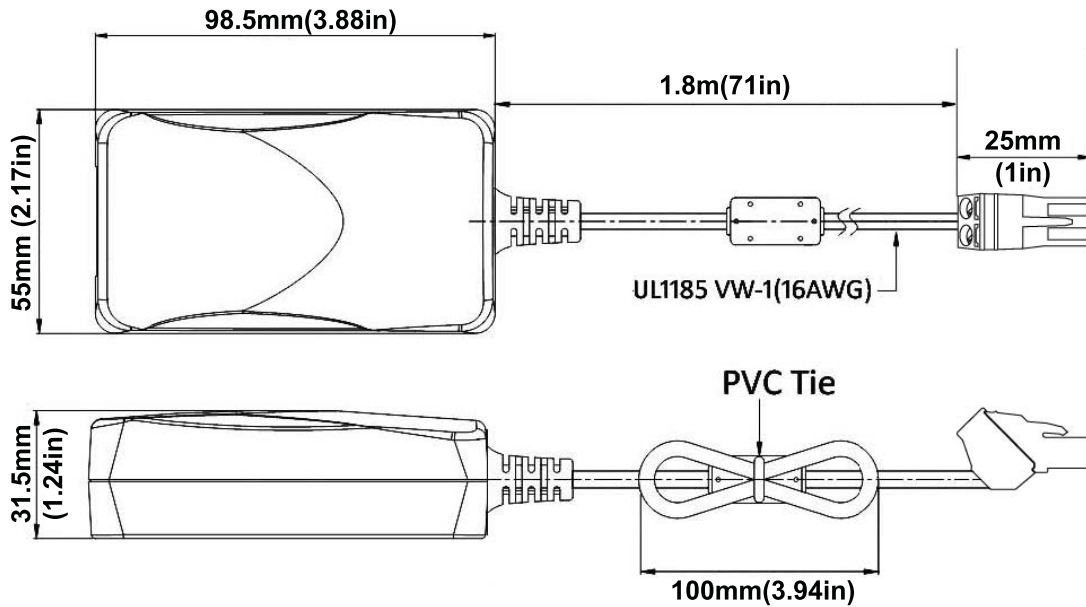


TC3PS-TB-25-03
(European/German Version)



TC3PS-TB-25-04
(United Kingdom Version)

TC Communications, Inc.
17881 Cartwright Rd. Irvine, CA 92614 U.S.A.
Tel: (949) 852-1972, Fax: (949) 852-1948
Sales: (800) 569-4736
Web Site: www.tccomm.com
E-mail: sales@tccomm.com



TC3PS-25 Dimensions

DC Output

Voltage.....12V

Load

Minimum.....0A

Maximum.....2.50A

Ripple (1)

P-P (max).....120mV

Regulation

Percent.....±5%

*Contact factory for higher requirements



ISO 9001
QMI-SAI Global
#1045959

TC Communications, Inc.
17881 Cartwright Road
Irvine, CA 92614 U.S.A.
Factory Tel: (949) 852-1972
Fax: (949) 852-1948

Sales Office
U.S.A. Domestic International:
(800) 569-4736 (949) 852-1973

Web Site: www.tccomm.com
E-mail: sales@tccomm.com