

# T1/E1-over-IP Gateway

## TC3845-1

- **Transports 4 Ch. T1/E1 Over Ethernet/IP**
- **Near Stratum-II Clock Precision & Extremely Low Latency**
- **Point-to-Point & Point-to-MultiPoint Applications**
- **VLAN and QoS Support**
- **Manage Via Web, SNMP, Serial Console, Telnet**
- **Temperature & Power Consumption Monitoring**
- **Extreme Temp (-40°C to +80°C) Optional**
- **Meets or Exceeds IEC 61850-3, IEEE1613 & NEMA TS-2 Standards**
- **Member of the JumboSwitch® Product Family**



TC3845-1 with Various JumboSwitch Cages and Chassis

Featuring extremely low latency, the TC3845-1 T1/E1-over-IP Gateway transports T1/E1 over Ethernet/IP networks. It is simple to configure and supports both point-to-point and point-to-multi point topologies.

A High-precision near Stratum II reference clock (OCXO) is used for optimal jitter and wander performance that complies with the ITU-T G.823 and G.824 standards. Using an OCXO also allows the unit to handle large temperature swings without any bit errors or loss of sync that would otherwise be present when using a less stable clock source.

Four channels of T1, E1, or combinations are transparently extended over Layer 2/3 IP Networks. The TC3845-1 achieves minimal end-to-end processing delay by using high-performance adaptive clock recovery buffering and forwarding technology. For reliable communications, the TC3845-1 supports VLAN and QoS for packet prioritization.

Key features include Traffic Monitoring and Statistics, Network Time Server (NTS), Remote Firmware Upgrade and Temperature and Power Consumption Monitoring.

Setup, diagnostics, and management are accessed via Web, SNMP, Serial Console, and Telnet. Diagnostics include LED indicators and local and remote loopback to assist with troubleshooting and maintenance.

Each T1/E1 channel is independent and transparent to protocols and signaling that run over T1/E1. The TC3845-1 supports all applicable standards and line codes.

The TC3845-1 interface card can fit into any available JumboSwitch housing options including 25 Standalone chassis and 1U/2U/4U card cages. Power supply options are 12VDC, 24VDC, -48VDC or 115/230VAC. Standard operating temperature is -20°C to +70°C and the extreme temperature version is -40°C to +80°C.

## Applications

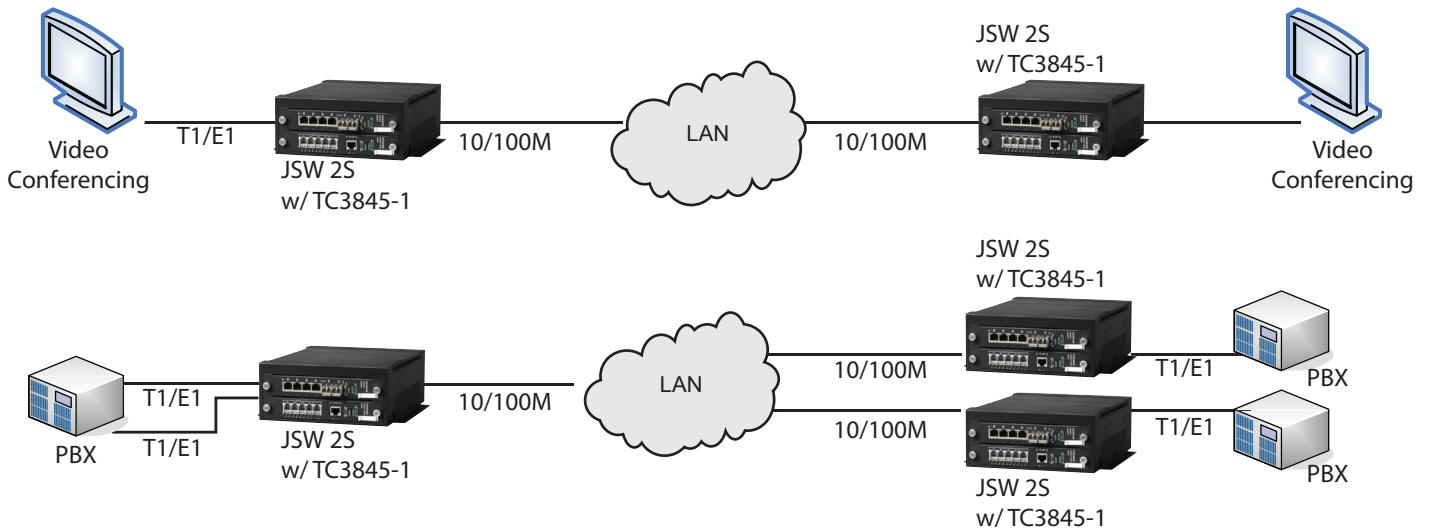
Typical applications include transporting voice, video, and data across IP networks.

For example, the TC3845-1 is used to extend T1/E1 links between PBX's, connect video conferencing, or link Cell Towers to Central Offices, all over existing Layer 2 / Layer 3 Networks.

## Environmental & EMI Compliance

The JumboSwitch product family meets all pertinent industry-specific standards for environmental, performance and security requirements including IEC 61850-3, IEEE 1613, NEMA TS-2 and NERC CIP. Furthermore, future JumboSwitch family products will continue to be compliant with both existing and emerging industry standards and requirements, including developing Ethernet standards. Please refer to the charts below for specific standards compliance information.

	Tests	Industrial Standards	TC Communications - JumboSwitch Type Test and Levels	
			Power Supply Unit (PSU)	RJ-45 & Signal
Temperature/Humidity	Low Temperature Use	IEC 61850-3, IEEE 1613, NEMA TS-2	IEC 60068-2-1; Ae; -40°C; 16 hour	
	Low Temperature Storage	IEC 61850-3, IEEE 1613, NEMA TS-2		
	High Temperature Use	IEC 61850-3, IEEE 1613, NEMA TS-2	IEC 60068-2-2; Be; +80°C; 16 hour	
	High Temperature Storage	IEC 61850-3, IEEE 1613, NEMA TS-2	IEC 60068-2-2; Bd; +85°C; 16 hour	
	Damp Heat	IEC 61850-3, IEEE 1613, NEMA TS-2	IEC 60068-2-30; Db; +55°C; 95%; 96 hours	
Mechanical	Vibration	IEC 61850-3, IEEE 1613, NEMA TS-2	IEC 60068-2-6; Fc; 3 - 150 Hz; 7.5 mm; 2 g; 10 sweeps per axis	
	Shock	IEC 61850-3, IEEE 1613, NEMA TS-2	IEC 60068-2-27; Ea; 30g; 11ms	
ElectroMagnetic Compatibility	Electrostatic Discharge Immunity	IEEE 1613	IEC 61000-4-2; 8kV contact; 15 kV air	
	Radiated RF Immunity	IEC 61850-3, IEEE 1613	IEC 61000-4-3; 80 MHz - 1000 MHz; 20 V/m; AM 80% 1 kHz	
	EFT/Burst Immunity	IEC 61850-3, IEEE 1613	IEC 61000-4-4; 4 kV CM	IEC 61000-4-4; 4 kV CM
	Surge Immunity	IEC 61850-3	IEC 61000-4-5; 4 kV LG; 2 kV LL	IEC 61000-4-5; 4 kV LG; 2 kV LL
	Conducted RF immunity	IEC 61850-3	IEC 61000-4-6; 150 kHz - 80 MHz; 10 V; AM 80% 1 kHz	IEC 61000-4-6; 150 kHz - 80 MHz; 10 V; AM 80% 1 kHz
	Magnetic Field Immunity	IEC 61850-3	IEC 61000-4-8; 50 Hz; 100 A/m cont.; 1000 A/m 1 s	
	Damped Oscillatory Magnetic Field Immunity	IEC 61850-3	IEC 61000-4-10; 100 kHz; 30 A/m	
	Damped Oscillatory Magnetic Field Immunity	IEC 61850-3	IEC 61000-4-10; 1 MHz; 30 A/m	
Power Supply Unit (PSU) Variations	AC Voltage Dips	IEC 61850-3	IEC 61000-4-11; 30% & 100%, 0.5s	NA
	DC Voltage Dips	IEC 61850-3	IEC 61000-4-29; 40% & 70%, 0.1s	NA
	Damped Oscillatory Wave	IEC 61850-3	IEC 61000-4-12; 2.5 kV CM, 1.0 kV DM @1MHz	IEC 61000-4-12; 2.5 kV CM, 1.0 kV DM @ 1MHz
	Conducted PF CM Voltage	IEC 61850-3	IEC 61000-4-16; 50 Hz; 30 V cont.; 300 V 1s	IEC 61000-4-16; 50 Hz; 30 V cont.; 300 V 1s
	Conducted Emission	IEC 61850-3	CE/FCC/CISPR22 class A	CE/FCC/CISPR22 class A
	Conducted emission	IEC 61850-3	CE/FCC/CISPR22 class A	CE/FCC/CISPR22 class A
	Radiated emission	IEC 61850-3	CE/FCC/CISPR22 class A	
Dielectric	Dielectric 50 Hz Test	IEEE 1613	IEC 60255-5; 2 kV	IEC 60255-5; 0.5 kV
	Impulse Voltage Test	IEEE 1613	IEC60255-5; 5 kV	IEC 60255-5; 5 kV



Typical Point-to-Point and Multi-Point Applications Using TC3845-1 to Extend T1/E1 Through an Existing Local Area Network

**Data Rates**

T1 .....1.544 Mbps  
 E1 .....2.048 Mbps  
 Ethernet .....10/100 Mbps Full Duplex  
 Console .....9.6K

**Connection Capacity**

T1/E1 .....4 Channels  
 Ethernet .....1 Port

**Electrical**

T1 Interface  
 Line Code .....AMI, B8ZS  
 Standards...AT&T TR-62411, G.703  
 .....G.704, G.824, ANSI T1.403  
 Connector .....RJ48  
 Impedance.....100 Ohm  
 E1 Interface  
 Line Code.....AMI, HDB3  
 Standards.....G.703, G.704, G.706  
 .....G.732, G.823  
 Connector.....RJ48, BNC via cable  
 Impedance.....75, 120 Ohm  
 Ethernet Interface  
 Standards .....IEEE 802.3,  
 .....802.3u, 802.1p&Q  
 Connector.....RJ45  
 Console Port.....RJ45

**System**

Bit Error Rate .....1 in 10<sup>10</sup> or Better

**Regulatory Approval**

CE, FCC Part 15, CISPR (EN55022)  
 CLASS A, IEC 61850-3, IEEE 1613,  
 NEMA TS-2

**Diagnostic Functions**

Local and Remote Loopback for  
 T1/E1 and Ethernet

**LEDs**

Unit Status.....PWR (A, B), Alarm  
 .....Vcc, BP, MGM  
 T1/E1..... Status  
 Ethernet.....Link/Act

**Power**

Standard.....12VDC  
 Optional.....24, -48 VDC  
 .....90-260 VAC, 50/60Hz  
 Power Consumption.....<10W

**Operating Temperature**

High Temp .....-20°C to 70°C  
 Extreme Temp .....-40°C to 80°C

**Storage**

Temperature.....-40°C to 90°C  
 Humidity.....95% non-condensing

**Physical (rack mount card)**

Height.....(3.15 cm) 1.24"  
 Width.....(17.78 cm) 7.0"  
 Depth.....(22.86 cm) 9.0"  
 Weight.....(0.3kg)0.75lbs



ISO 9001  
 QMI-SAI Global  
 #1045959

TC Communications, Inc.  
 17881 Cartwright Road  
 Irvine, CA 92614 U.S.A.  
 Factory Tel: (949) 852-1972  
 Fax: (949) 852-1948

Sales Office  
 U.S.A. Domestic International:  
 (800) 569-4736 (949) 852-1973

Web Site: www.tccomm.com  
 E-mail: sales@tccomm.com

Note - Information contained in this data sheet is subject to change without prior notice. 010C