

C37.94-over-IP Gateway

TC3846-2

Extends two IEEE C37.94 fiber optic circuits over Ethernet networks and provides extremely low latency.

- Ideal for Teleprotection Relays
- Less Than 5 msec. latency, One Way
- Point-to-Point & Point-to-MultiPoint Applications
- VLAN and QoS Support
- Manage Via Web, SNMP, Serial Console, Telnet
- Temperature & Power Consumption Monitoring

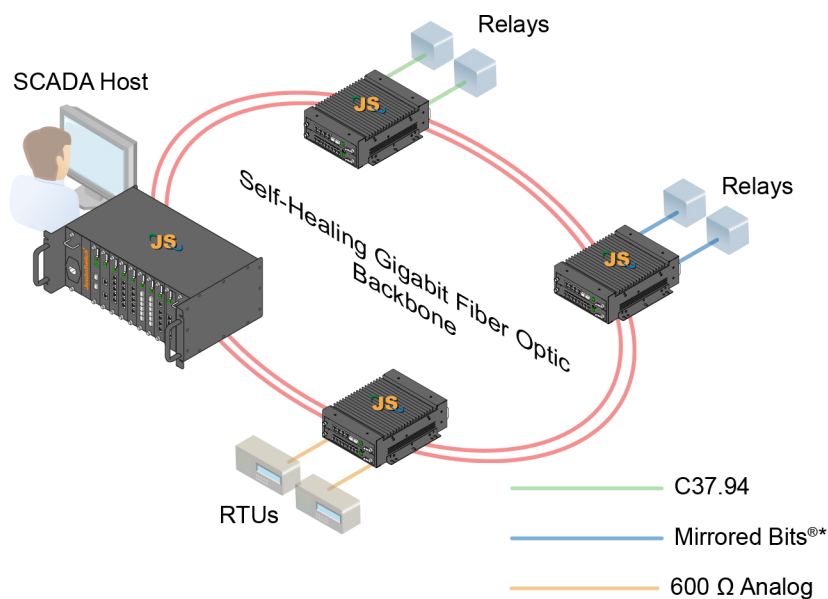
Extreme Operating Temp (-40C to +80C) Optional



Teleprotection Over IP

Each C37.94 optical fiber channel is independent and transparent to protocols and signaling used. Clear channel and octet aligned modes are supported.

Key features include Traffic Monitoring and Statistics, Network Time Server (NTP Server), Remote Firmware Upgrade and Temperature and Power Consumption Monitoring.



TC Communications, Inc. Irvine, CA, USA
www.tccomm.com

