

# 12 Volt Power Adapter with Terminal Block

## TC3PS-TB-25

- Non-Vented/Spill-Proof Case
- EISA Compliant
- Class B EMI
- Low Profile Design
- Level V Efficiency Compliant
- Eco-design ErP Directive 2009/125/EC Level 2 Annex 1b Compliant



TC3PS-TB-25-01  
(North American Version)

The TC3PS-TB-25 Universal Power Adapter draws 2.5 Amps and is compatible with standard and large TC Communications products. It is a 115/240V AC to 12V DC Power Adapter with Terminal Block connector.



### Applications

This power adapter applies to the following products:

- |             |               |           |
|-------------|---------------|-----------|
| • TC8930    | • TC3705      | • TC2400  |
| • TC8916    | • TC3400/3420 | • TC2200  |
| • TC8800S/R | • TC3340      | • TC2100  |
| • TC8800S/R | • TC3300      | • TC1910  |
| • TC8530    | • TC3240      | • TC1905  |
| • TC8520    | • TC3210      | • TC1903  |
| • TC8510    | • TC3105S/R   | • TC1901  |
| • TC8300    | • TC3007      | • TC1900  |
| • TC8116    | • TC3006      | • TC1630R |
| • TC8108    | • TC3005      | • TC1720  |
| • TC8000    | • TC3004      | • TC1710  |
| • TC4001    | • TC2900      | • TC1705  |
| • TC3848    | • TC2850      | • TC1680  |
| • TC3845    | • TC2800      |           |

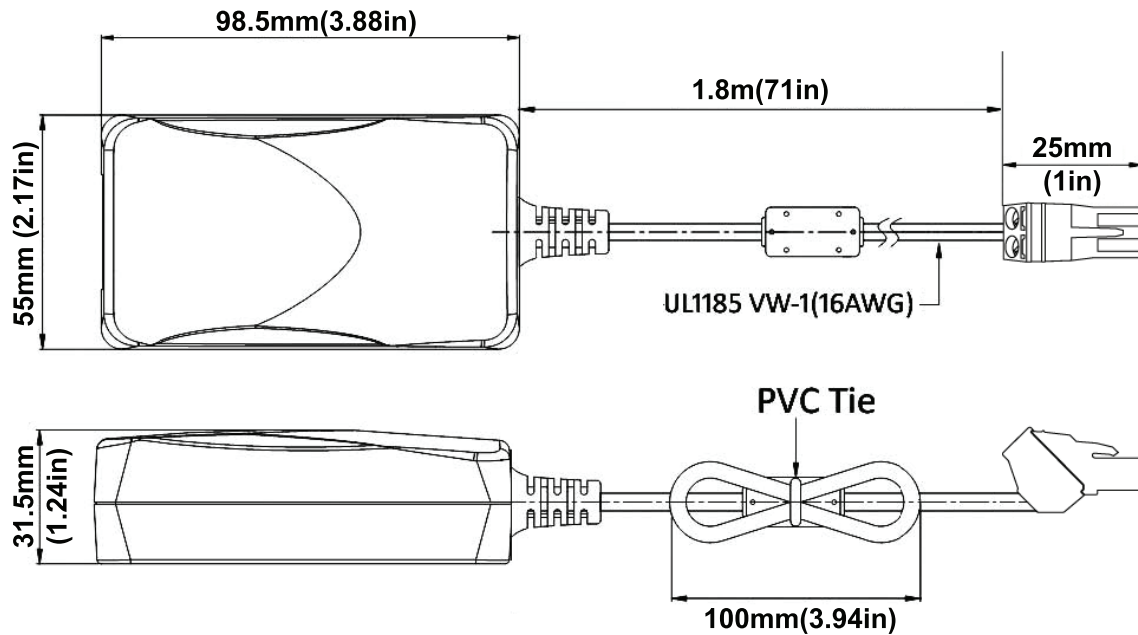


TC3PS-TB-25-03  
(European/German Version)



TC3PS-TB-25-04  
(United Kingdom Version)

TC Communications, Inc.  
17881 Cartwright Rd. Irvine, CA 92614 U.S.A.  
Tel: (949) 852-1972, Fax: (949) 852-1948  
Sales: (800) 569-4736  
Web Site: [www.tccomm.com](http://www.tccomm.com)  
E-mail: [sales@tccomm.com](mailto:sales@tccomm.com)



TC3PS-25 Dimensions

**Mechanical Characteristics**

Length.....11.66mm (4.49in)  
 Width.....55mm (2.17in)  
 Height.....31.5mm (1.24in)  
 Weight.....250g (8.82oz.)

**DC Output Connector**

2.1 x 5.5 x 10mm Center Positive  
 Standard

**DC Cord Length**

.....1500mm (59.1in)

**Input**

**AC Input**

Voltage Rating...100VAC to 240VAC  
 Voltage Range.....90VAC to 264VAC  
 Frequency.....47Hz to 63Hz

**Input Current**

.....0.8A (RMS) maximum at 120VAC  
 .....0.5A (RMS) maximum at 240VAC

**Leakage Current**

.....3.5mA maximum

**Inrush Current**

.....30A for 115VAC at max load  
 .....60A for 115VAC at max load  
 (Cold start at ambient 25°C)

**Power Saving**

.....0.3W Maximum at no load

**Output**

DC Output Voltage.....+12V

**Load**

Minimum.....0A  
 Maximum.....2.50A

**Ripple**

P-P (max).....12V 120mV

**Regulation**

Line & Load.....±5%

**Efficiency**

Level.....5  
 .....>83.5% average efficiency

**Over-Voltage Protection**

Zener Clamping, Adapter will be shut down

**Over-Current Protection**

Output equipped with short-circuit protection -- auto restart

**Short-Circuit Protection**

Output can be shorted without damage

**Environmental**

**Immunity**

EN61000-4-4.....level 2 (EFT)  
 EN6100-4-2.....level 4 (ESD)  
 EN61000-4-5.....level 3 (Surge)

**Emissions**

.....FCC Class B, EN55022 Class B

**Dielectric Withstand (Hi-pot) Test**

Primary to Secondary.....  
 .....3000VAC for 1min., 10mA

**Safety Approvals**

.....cUL/UL, TUV, CE, SAA, C-Tick

\*Contact factory for higher requirements



ISO 9001  
 QM-SAI Global  
 #1045959

TC Communications, Inc.  
 17881 Cartwright Road  
 Irvine, CA 92614 U.S.A.  
 Factory Tel: (949) 852-1972  
 Fax: (949) 852-1948

Sales Office  
 U.S.A. Domestic International:  
 (800) 569-4736 (949) 852-1973

Web Site: www.tccomm.com  
 E-mail: sales@tccomm.com

Note: Information contained in this data sheet is subject to change without prior notice.