

# AC Power for JumboSwitch® 4U

**TCRMPS3**

- Redesigned for better performance
- Ruggedized Design for Harsh Environments
- Standard Operating Temperature -20°C to +70°C (Extreme Operating Temperature -40°C to +80°C Optional)
- Built-in temperature sensor
- Compliant with CSA/UL/EN 60950-1 and 62368-1



TCRMPS3- JumboSwitch 4U AC Power

## Input Specification

Input voltage .....	90VAC to 264VAC
Input frequency.....	47Hz to 63Hz
Input current .....	2A <sub>rms</sub> Max/115VAC or 1A <sub>rms</sub> Max/230VAC
Inrush current.....	less than 30A at 115VAC less than 60A at 230VAC

## General Features

Cold Start.....	25°C
Efficiency.....	up to 80%
Over load protection.....	Auto Recovery
Short circuit protection.....	Auto Recovery
Over voltage protection .....	Latch Off

## Environment Specifications

Standard operating temperature.....	-20°C to +70°C
Extreme temperature version.....	-40°C to +80°C
Storage temperature .....	-40°C to +85°C

## Standard Compliance

EMI .....	FCC "B" EN61000-3-2 'A', EN55011"B"
EMS .....	EN61000-4-2,-3,-4,-5,-6,-8,-11
Safety .....	UL 60950-1 / UL 62368-1, CSA 22.2 NO.60950-1 / CSA 62368-1, IEC/EN 60950-1 / IEC/EN 62368-1

## Dimensions

Length.....	8.40" (213.4mm)
Width .....	5.91" (150.1mm)
Height .....	1.89" (48mm)
Weight .....	2.87lbs (1.3kg)

Note - Information contained in this data sheet is subject to change without prior notice. 010B



SAI GLOBAL  
ISO 9001  
Quality

TC Communications, Inc.  
17881 Cartwright Road  
Irvine, CA 92614 U.S.A.  
Factory Tel: (949) 852-1972  
Fax: (949) 852-1948

Sales Office  
U.S.A. Domestic International:  
(949) 852-1973

Web Site: [tccomm.com](http://tccomm.com)  
E-mail: [sales@tccomm.com](mailto:sales@tccomm.com)



[tccomm.com/JumboSwitch](http://tccomm.com/JumboSwitch)

**JumboSwitch®**



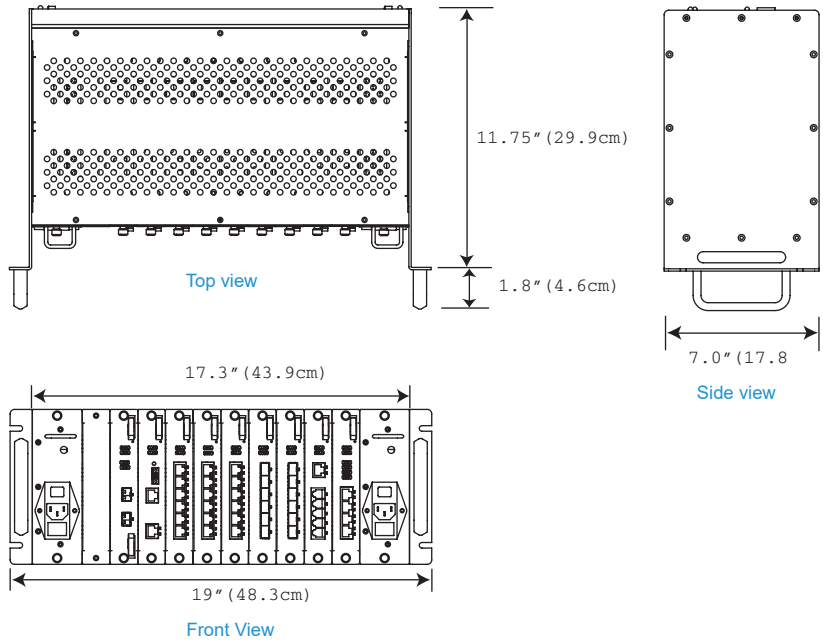
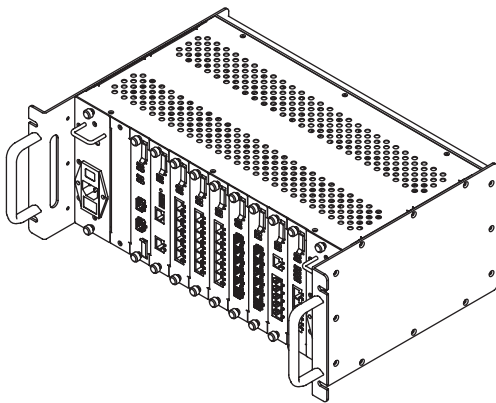
Front View



Rear View

JumboSwitch® 4U Card Cage

## JumboSwitch 4U



# DC Power for JumboSwitch® 4U

## TCRMPS3

- Redesigned for better performance
- Ruggedized Design for Harsh Environments
- Standard Operating Temperature -20°C to +70°C (Extreme Operating Temperature -40°C to +80°C Optional)
- Built-in temperature sensor
- Compliant with CSA/UL/EN 60950-1



TCRMPS3- JumboSwitch 4U DC Power



(See Page 2 for full specifications).



SAI GLOBAL

ISO 9001

Quality

TC Communications, Inc.  
17881 Cartwright Road  
Irvine, CA 92614 U.S.A.  
Factory Tel: (949) 852-1972  
Fax: (949) 852-1948

Sales Office  
U.S.A. Domestic International:  
(949) 852-1973

Web Site: [tccomm.com](http://tccomm.com)  
E-mail: [sales@tccomm.com](mailto:sales@tccomm.com)

Note - Information contained in this data sheet is subject to change without prior notice. 010B



[tccomm.com/JumboSwitch](http://tccomm.com/JumboSwitch)

# JumboSwitch®



Front View



Rear View

JumboSwitch® 4U Card Cage

**Power Specifications**

	12V DC PSU	24V DC PSU	48V DC PSU	125V DC PSU
TC Part Number R: regular temp Y: extreme temp	TCRMP53-R-12 TCRMP53-Y-12	TCRMP53-R-24 TCRMP53-Y-24	TCRMP53-R-48 TCRMP53-Y-48	TCRMP53-R-25 TCRMP53-Y-25
Product Input Voltage Range	9-18 VDC	18-36 VDC	36-64 VDC	100-135 VDC
Input Under Voltage Lockout	7.8-8.4 VDC	15.5-16.3 VDC	15.5-16.3 VDC	54-56 VDC
Input Overvoltage Shutdown	>36 VDC	>75 VDC	>75 VDC	>155 VDC
Output Voltage	5.5 VDC	5.5 VDC	5.5 VDC	5.5 VDC
Maximum Output Power	175W	132W	132W	150W
Efficiency	78% Typical	Up to 91%	Up to 91%	85% Typical
Overload Protection	Up to 125% of Max Output Load	Up to 140% of Max Output Load	Up to 140% of Max Output Load	Up to 125% of Max Output Load

**Environment Specifications**

Standard operating temperature.....-20°C to +70°C  
 Extreme temperature version.....-40°C to +80°C  
 Storage temperature .....-40°C to +85°C

**Standard Compliance**

EMI ..... FCC "A", EN61000-3-2 "A", EN55022 "A"  
 EMS ..... EN61000-4-2, -3, -4, -5, -6, -11  
 Safety ..... UN60950-1, EN60950-1, CSA60950-1, IEC60950-1

**Dimensions**

Length.....8.40" (213.4mm)  
 Width .....5.91" (150.1mm)  
 Height .....1.89" (48mm)  
 Weight .....2.87lbs (1.3kg)